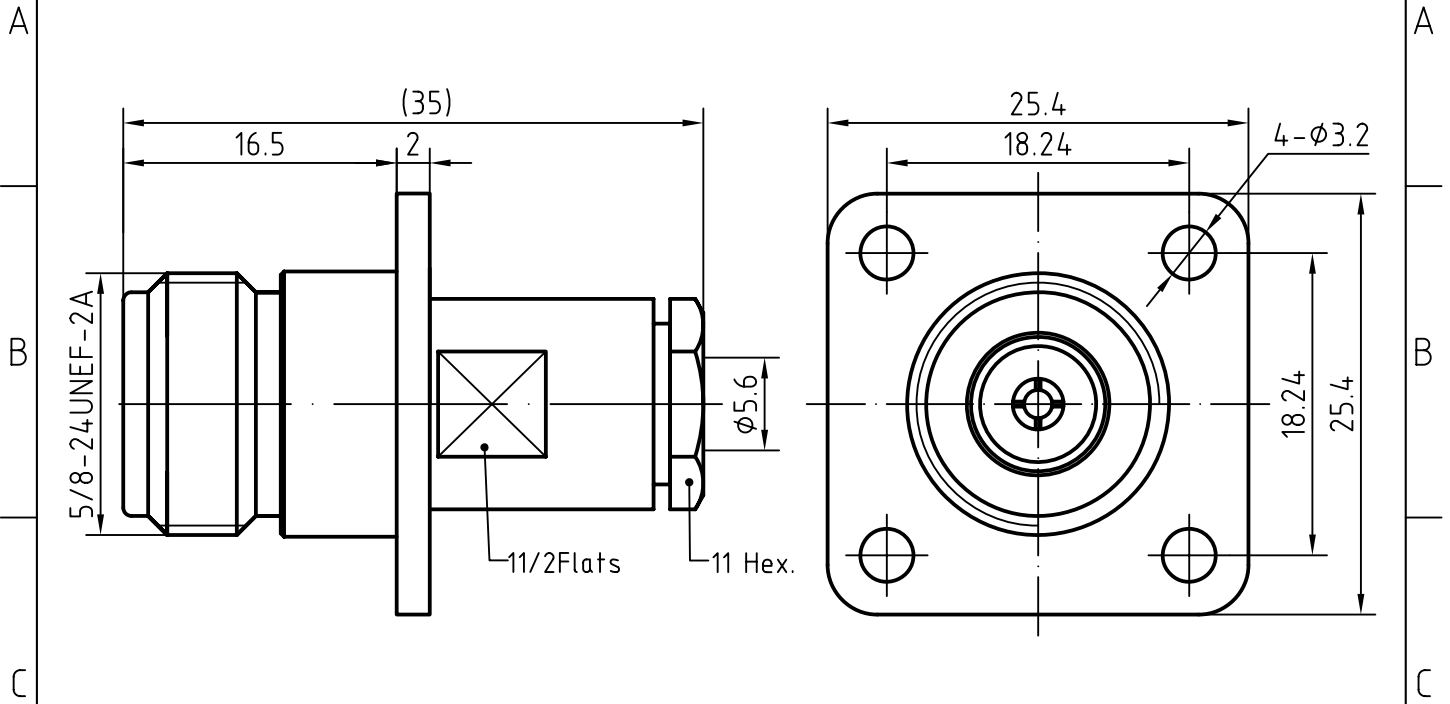
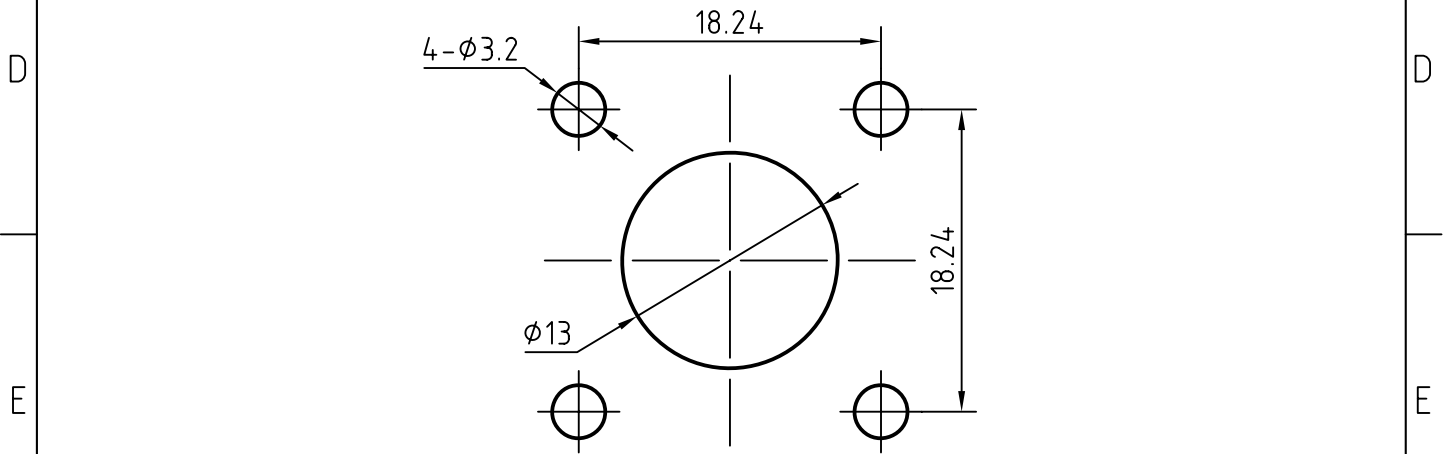


DRAWING



MOUNTING HOLE



3	1	Body	Brass/Nickel plated	Nickel 5.0um over Copper 2.0um
2	1	Insulator	PTFE	
1	1	Center contact	Phosphor bronze/Gold plated	Gold 0.3um over Nickel 2.0um
Itemref	Quantity	Title/Name, designation, material, dimension etc		Article No./Reference

Designed by	Checked by	Approved by - date	File name	Date	Scale
-------------	------------	--------------------	-----------	------	-------

Amitron Electronics, Ltd.	N-KF200			
	http://www.amel.ru	Edition	Sheet	

CHARACTERISTICS

DESCRIPTION: N Type female FL connector

Electrical data:

<i>Impedance:</i>	50 ohm
<i>Frequency range:</i>	DC to 6.0 GHz
<i>VSWR:</i>	$\leq 1.08 + 0.06 \times f \text{ [GHz]}$
<i>Insertion loss:</i>	$\leq 0.25 \times \sqrt{f \text{ [GHz]}} \text{ dB}$
<i>Insulation resistance:</i>	$\geq 5000 \text{ M}\Omega$
<i>Test voltage:</i>	2500 V rms
<i>Working voltage:</i>	1400 V rms
<i>Contact resistance:</i>	
1). Centre contact:	1.0 m Ω
2). Outer conductor:	0.25 m Ω
<i>Power handling (at 20 ° C, sea level, VSWR 1.0):</i>	$\leq 1000 \text{ W @ 1 GHz}$ $\leq 700 \text{ W @ 2 GHz}$

Environmental data:

<i>Temperature rating:</i>	-65 ° C to +165 ° C
<i>2002/95/EC (RoHS):</i>	Compliant

Mechanical data:

<i>Mating cycles:</i>	≥ 500
<i>Center contact captivation:</i>	$\geq 28 \text{ N(axial)}$
<i>Coupling test torque:</i>	$\leq 1.7 \text{ Nm}$
<i>Recommended torque:</i>	0.7 Nm to 1.1 Nm

Suitable cables:

LMR200
PK50-3-38