

# Coaxial Straight PCB Connector: SMA-KHD19A

## Description

Edge mount straight PCB jack

## Interface standards

MIL-C-39012

## Technical Data

### Electrical Data

Impedance	50 $\Omega$
Interface frequency max.	18 GHz
VSWR	1.05+0.02 $\times$ f(GHz) max
Voltage rating	500 V(rms)
Test voltage	1000 V(rms)
Contact resistance:	
Center conductor	$\leq 3\text{m } \Omega$
Out conductor	$\leq 2\text{m } \Omega$
Insulation resistance	$\geq 5000\text{M } \Omega$

### Mechanical Data

Center contact retention	
Axial force – Mating end	27 N min
Axial force – Opposite end	27 N min
Torque	2.8 N.cm min
Weight	1.9 g
Durability	500 Cycles

### Environmental Data

Operating Temperature	-65 $^{\circ}\text{C}$ to 165 $^{\circ}\text{C}$
-----------------------	--

### Material Data

#### Piece Parts

Body	Brass
Center contact	Beryllium copper
Insulator	PTFE

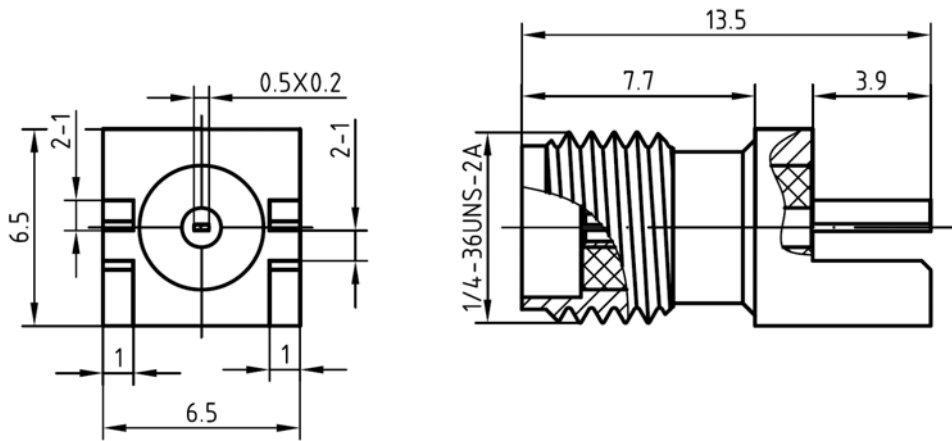


#### Surface Plating( $\mu\text{m}$ )

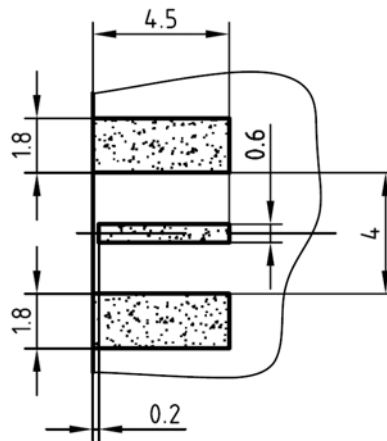
Gold 0.2 over Nickel 2.0
Gold 0.5 over Nickel 2.0

# Coaxial Straight PCB Connector: SMA-KHD19A

## Outline drawing



## MOUNTING INSTRUCTION



## Packaging

Standard

Other

150/Box=15Bag

Contact us