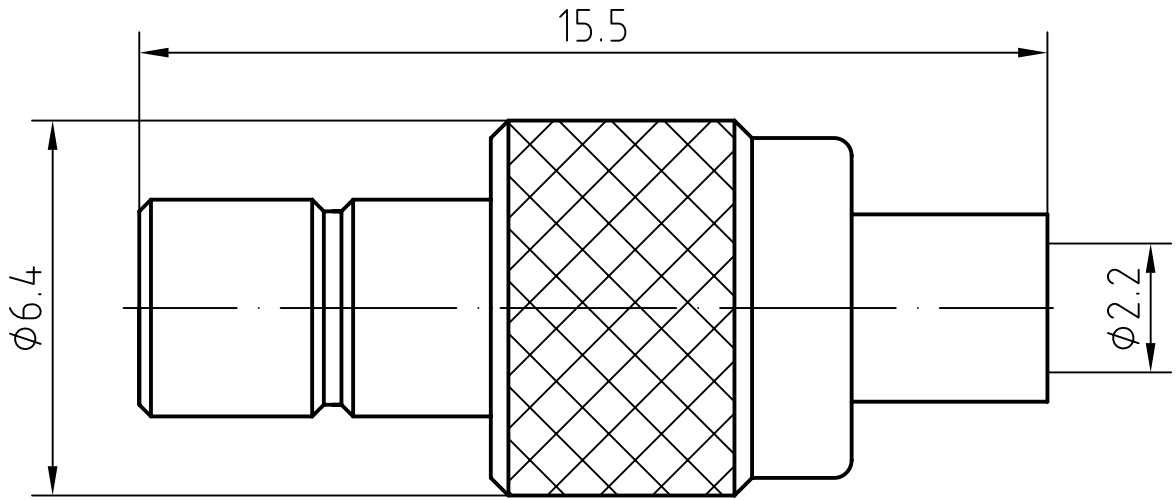
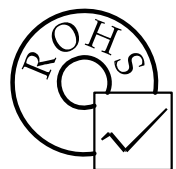
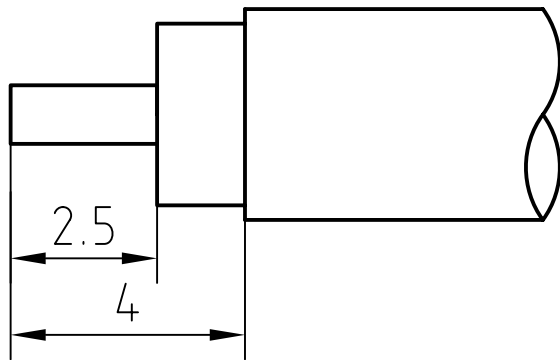


DRAWING



CABLE(UT086,RG405,670-086)



3	1	Center contact	Brass/Gold plated	
2	1	Insulator	PTFE	
1	1	Body	Brass/Gold plated	
Itemref	Quantity	Title/Name, designation, material, dimension etc		Article No./Reference

Designed by Mingang Han	Checked by Jinlong GU	Approved by - date Hongyu Du	File name SMB-JB2	Date 07.04.02	Scale 8 : 1
----------------------------	--------------------------	---------------------------------	----------------------	------------------	----------------

Amitron Electronics, Ltd.	SMB-JB2		
	http://www.amel.ru	Edition 1.0	Sheet 1/1

CHARACTERISTICS

DESCRIPTION: SMB Type male str connector

Electrical data:

Impedance:	50 ohm
Frequency range:	DC to 4 GHz
Return loss:	≥25dB, DC-1GHz ≥20dB, 1-3GHz ≥18dB, 3-4GHz
Insertion loss:	≤ 0.1 x $\sqrt{f[\text{GHz}]}$ dB
Insulation resistance:	≥1000MΩ
Test voltage:	750 V rms
Working voltage:	250 V rms
Contact resistance:	
1). Centre contact:	5.0 mΩ
2). Outer conductor:	2.5 mΩ
RF-leakage :	≥ 55 dB up to 1 GHz

Environmental data:

Temperature rating:	-55 °C to 155 °C
2002/95/EC (RoHS):	Compliant

Mechanical data:

Mating cycles:	≥500
Center contact captivation:	≥10 N(axial)
Engagement force:	≤ 63 N
Disengagement force:	8 N min. to 63 N max.

Suitable cables:

UT086,RG405,670-086