

Coaxial Cable Connector: N-JB2

Description

N Type Straight cable plug solder type cable .086

Interface standards

MIL-C-39012

Technical Data

Electrical Data

Impedance	50 Ω
Interface frequency max.	11 GHz
VSWR	1.05+0.02 \times f (GHz) max
Voltage rating	1000 V(rms)
Test voltage	1500 V(rms)
Contact resistance:	
Center conductor	$\leq 1.0\text{m } \Omega$
Out conductor	$\leq 0.2\text{m } \Omega$
Insulation resistance	$\geq 5000\text{M } \Omega$

Mechanical Data

Weight	27.5 g
Durability	500 Cycles

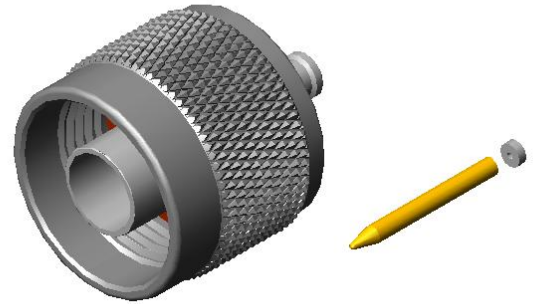
Environmental Data

Operating Temperature	-65 $^{\circ}\text{C}$ to 165 $^{\circ}\text{C}$
-----------------------	--

Material Data

Piece Parts

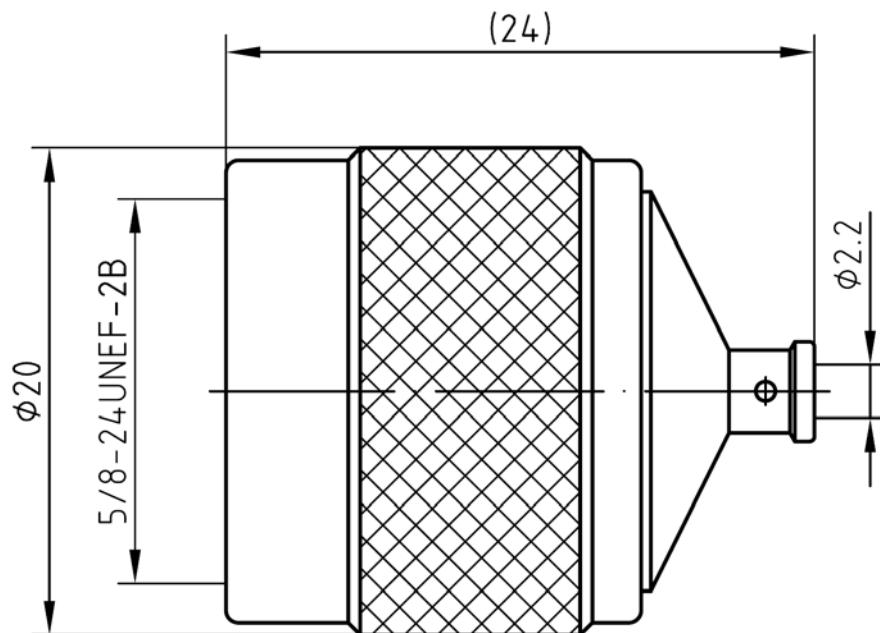
Center contact	Brass
Body	Brass
Gasket	Silicone Rubber
Insulator	PTFE
Nut	Brass



Surface Plating(μm)
Gold 0.5 over Nickel 2.0
White copper 4.0 over copper 1.0
Nickel 7.0 over copper 2.0

Coaxial Cable Connector: N-JB2

Outline drawing



Packaging

Standard

Other

50/Box=5 Bag

Contact us