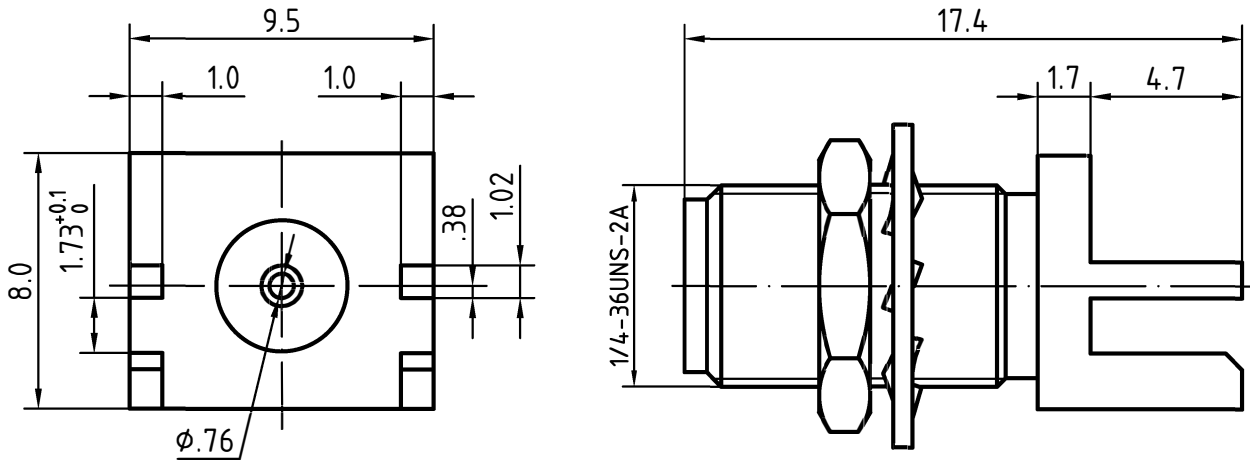
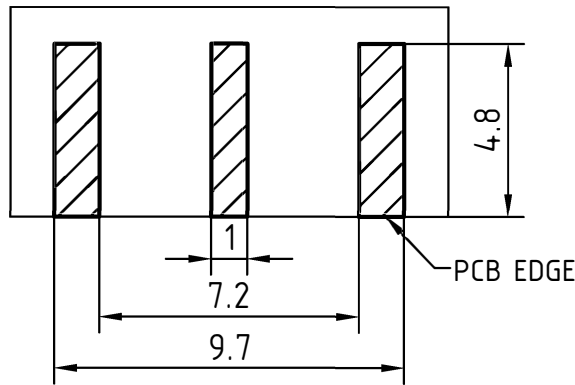


DRAWING



RECOMMENDED PCB LATOUT



5	1	Lockwasher	Beryllium copper/Gold plated	Gold 0.2um over Nickel 2.0um
4	1	Nut	Brass/Gold plated	Gold 0.2um over Nickel 2.0um
3	1	Body	Brass/Gold plated	Gold 0.2um over Nickel 2.0um
2	1	Insulator	PTFE	
1	1	Female contact	Beryllium copper/Gold plated	Gold 0.5um over Nickel 2.0um
Itemref	Quantity	Title/Name, designation, material, dimension etc		Article No./Reference

Designed by Mingang Han	Checked by Jinlong GU	Approved by - date Hongyu Du	File name SMA-KYHDC	Date 12.05.14	Scale 6 : 1
----------------------------	--------------------------	---------------------------------	------------------------	------------------	----------------

Amitron Electronics, Ltd.

SMA-KYHDC

<http://www.amel.ru>

Edition
1.0

Sheet
1/1

CHARACTERISTICS

DESCRIPTION:

SMA Type female BH+edge mounting for PCB solder legs

Electrical data:

<i>Impedance:</i>	<i>50 ohm</i>
<i>Frequency range:</i>	<i>DC to 18.0 GHz</i>
<i>VSWR:</i>	<i>≤1.2:1 , DC-6GHz</i>
<i>Insertion loss:</i>	<i>≤ 0.15dB , DC-6GHz</i>
<i>Insulation resistance:</i>	<i>≥5000MΩ</i>
<i>Test voltage:</i>	<i>1000 V rms</i>
<i>Working voltage:</i>	<i>480 V rms</i>
<i>Contact resistance:</i>	
1). <i>Centre contact:</i>	<i>3.0 mΩ</i>
2). <i>Outer conductor:</i>	<i>2.0 mΩ</i>
<i>Power handling(at 20 ° C, sea level, VSWR 1.0):</i>	<i>≤ 200 W @ 2 GHz; ≤ 100 W @ 10 GHz</i>
<i>RF-leakage</i>	<i>≥ 100 dB up to 1 GHz</i>
<i>- VSWR in application depends decisive on PCB layout -</i>	

Environmental data:

<i>Temperature rating:</i>	<i>-65 ° C to +165 ° C</i>
<i>2002/95/EC (RoHS):</i>	<i>Compliant</i>

Mechanical data:

<i>Mating cycles:</i>	<i>≥500</i>
<i>Center contact captivation:</i>	<i>≥27 N(axial)</i>
<i>Coupling test torque:</i>	<i>≤1.1 Nm</i>
<i>Recommended torque:</i>	<i>0.46 Nm to 0.69 Nm</i>

Suitable cables:

N/A