

## Coaxial Cable Connector: N-KY7

### Description

Straight Bulkhead jack for flexible cable 7/50S+D

### Interface standards

MIL-C-39012

### Technical Data

#### Electrical Data

Impedance	50 $\Omega$
Interface frequency max.	8 GHz
VSWR	$1.05+0.06 \times f$ (GHz) max
Voltage rating	1000 V(rms)
Test voltage	1500 V(rms)
Contact resistance:	
Center conductor	$\leq 1.0\text{m } \Omega$
Out conductor	$\leq 0.2\text{m } \Omega$
Insulation resistance	$\geq 5000\text{M } \Omega$

#### Mechanical Data

Weight	45 g
Durability	500 Cycles

#### Environmental Data

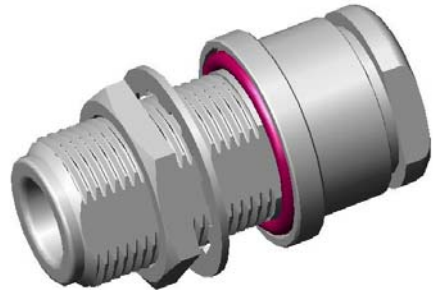
Operating Temperature	-65 °C to 165 °C
-----------------------	------------------

#### Material Data

##### Piece Parts

Center contact	Phosphor Bronze
Body	Brass
Gasket	Silicone Rubber
Insulator	PTFE
Other pieces	Brass

##### Material

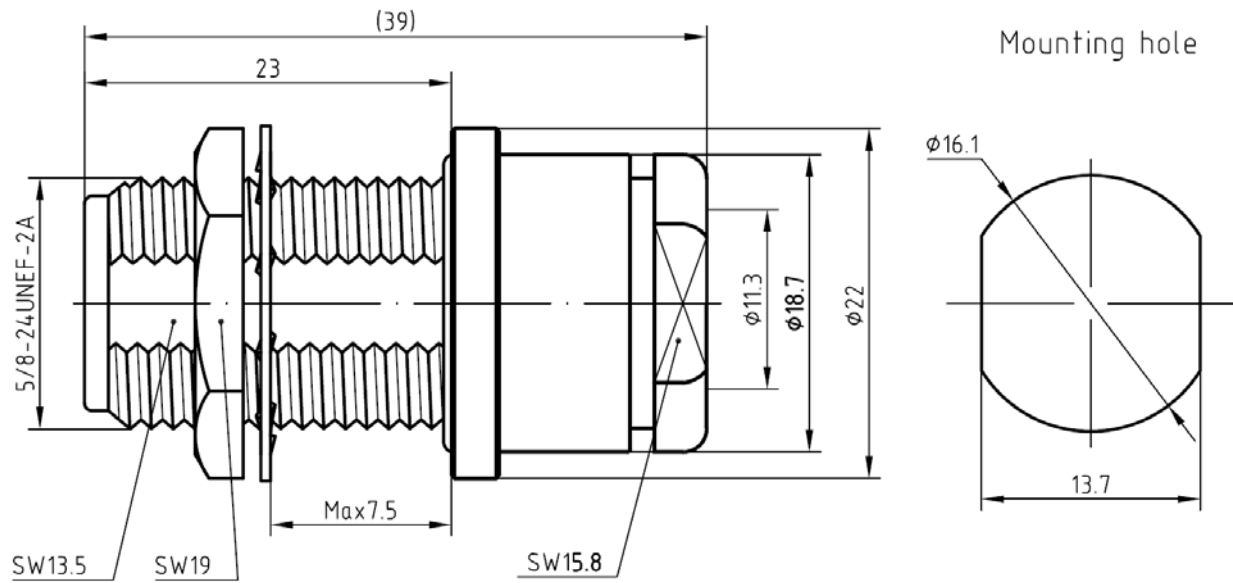


##### Surface Plating( $\mu\text{m}$ )

Gold 0.3 over Nickel 2.0
Nickel 7.0 over copper 2.0
Nickel 7.0 over copper 2.0

# Coaxial Cable Connector: N-KY7

## Outline drawing



## Packaging

Standard

Other

40/Box=4 Bag

Contact us