

# Coaxial Panel Connector: N-KDF5

## Description

N type Straight bulkhead pin edge card receptacle jack

## Interface standards

MIL-C-39012

## Technical Data

### Electrical Data

Impedance	50 $\Omega$
Interface frequency max.	11 GHz
VSWR	$1.05+0.03 \times f$ (GHz) max
Voltage rating	1000 V(rms)
Test voltage	1500 V(rms)
Contact resistance:	
Center conductor	$\leq 1.0\text{m} \Omega$
Out conductor	$\leq 0.2\text{m} \Omega$
Insulation resistance	$\geq 5000\text{M} \Omega$

### Mechanical Data

Weight	36 g
Durability	500 Cycles

### Environmental Data

Operating Temperature	-65 °C to 125 °C
-----------------------	------------------

### Material Data

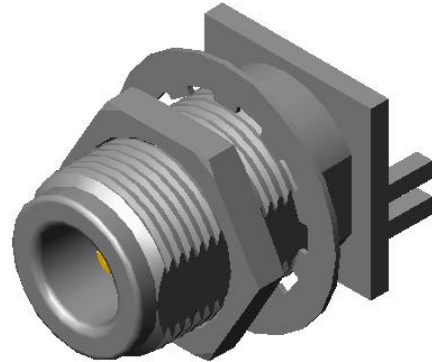
#### Piece Parts

Center contact	Beryllium copper
Body	Brass
Other pieces	Brass
Insulator	PTFE

#### Material

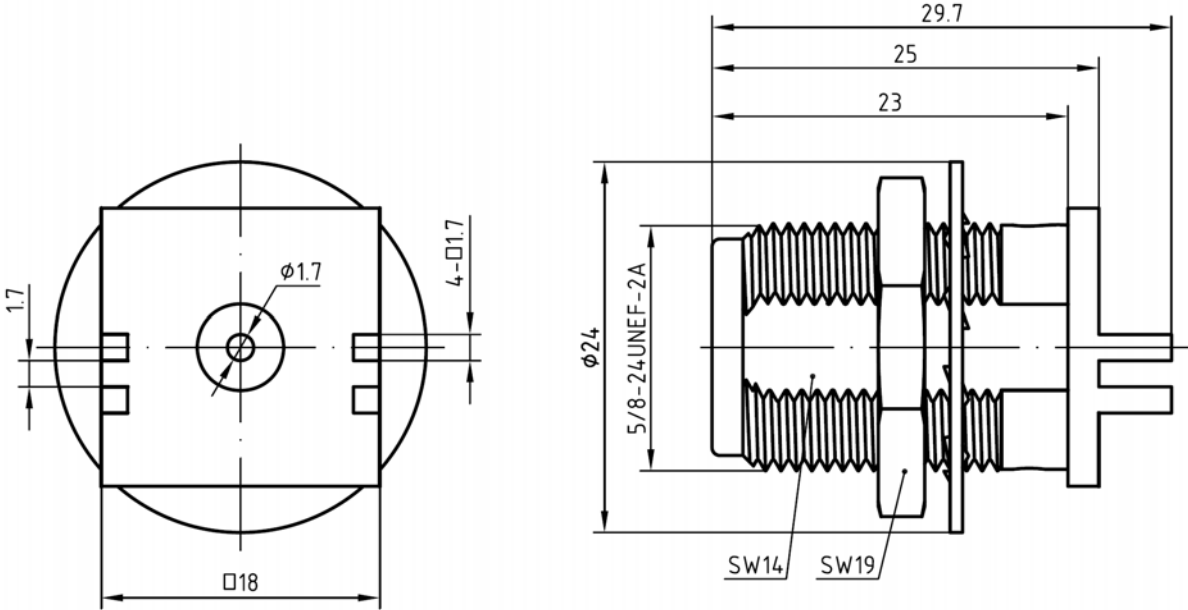
#### Surface Plating( $\mu\text{m}$ )

Gold 0.5 over Nickel 2.0
Nickel 7.0 over copper 2.0
Nickel 7.0 over copper 2.0



# Coaxial Panel Connector: N-KDF5

## Outline drawing



## Packaging

Standard

50/Box=5 Bag

Other

Contact us