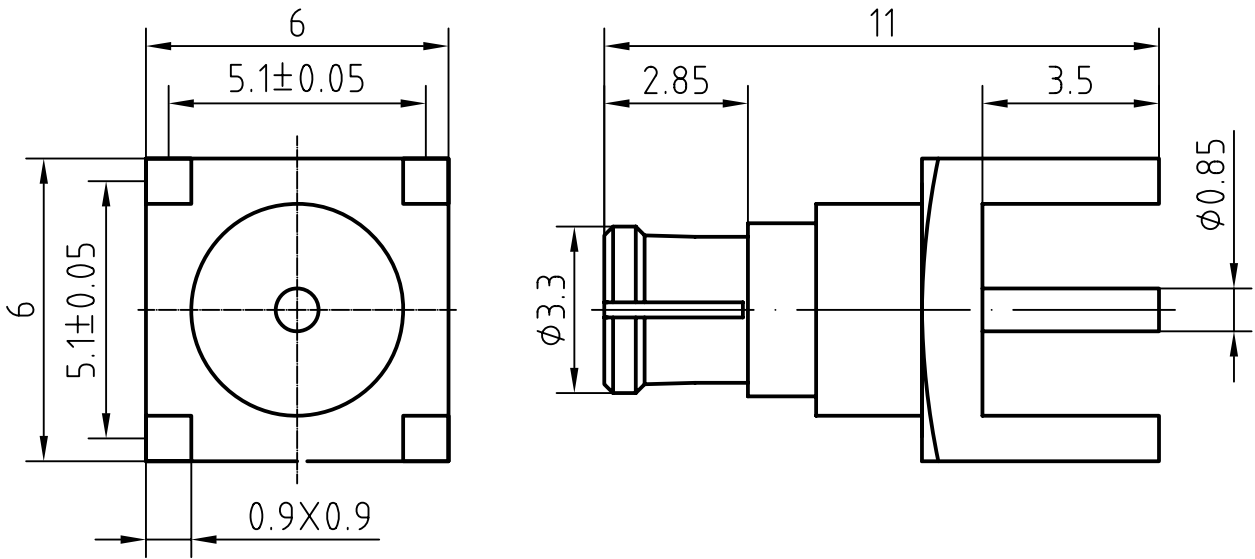
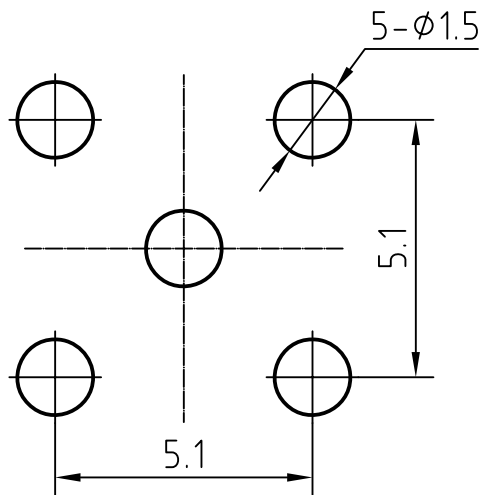


DRAWING



PCB RECOMMENDED LAYOUT



4	1	Spring contact	Beryllium copper/Gold plated
3	1	Body	Brass/Gold plated
2	1	Insulator	PTFE
1	1	Center contact	Beryllium copper/Gold plated

Designed by Mingang Han	Checked by Jinlong Gu	Approved by - date Hongyu Du	File name SMP-KHD	Date 07.12.22	Scale 10 : 1
----------------------------	--------------------------	---------------------------------	----------------------	------------------	-----------------

Amitron Electronics, Ltd.

SMP-KHD

<http://www.amel.ru>

Edition  
1.0

Sheet  
1/1

## CHARACTERISTICS

DESCRIPTION: SMP Type female connector for PCB

### Electrical data:

<i>Impedance:</i>	50 ohm
<i>Frequency range:</i>	DC to 26.5 GHz
<i>VSWR:</i>	$\leq 1.05 + 0.015Xf[\text{GHz}]$
<i>Insertion loss:</i>	$\leq 0.1X\sqrt{f[\text{GHz}]} \text{ dB}$
<i>Insulation resistance:</i>	$\geq 5 \text{ G}\Omega$
<i>Test voltage:</i>	500 V rms
<i>Working voltage:</i>	335 V rms
<i>Contact resistance:</i>	
1). Centre contact:	6.0 m $\Omega$
2). Outer conductor:	2.0 m $\Omega$
<i>Contact Current:</i>	1.2A DC max.

### Environmental data:

<i>Temperature rating:</i>	-65 ° C to +165 ° C
<i>2002/95/EC (RoHS):</i>	Compliant

### Mechanical data:

<i>Mating cycles:</i>	
<i>if mating part is smooth bore:</i>	$\geq 1000$
<i>if mating part is limited detent:</i>	$\geq 500$
<i>if mating part is full detent:</i>	$\geq 100$
<i>Center contact captivation:</i>	$\geq 7 \text{ N(axial)}$
<i>Engagement force:</i>	<i>Disengagement force:</i>
<i>smooth bore: &lt;9N</i>	<i>smooth bore: &lt;2.2N</i>
<i>limited detent: &lt;45N</i>	<i>limited detent: &lt;9N</i>
<i>full detent: &lt;68N</i>	<i>full detent: &lt;22N</i>

### Suitable cables:

N/A

Amitron Electronics, Ltd.

<http://www.amel.ru>

e-mail: mailbox@amel.ru