

## Coaxial Straight Flange Connector: SMA-JFD8

### Description

Straight panel receptacle plug (male), flange mount

### Interface standards

MIL-C-39012

### Technical Data

#### Electrical Data

Impedance	50 $\Omega$
Interface frequency max.	18 GHz
VSWR	1.05+0.01 $\times$ f(GHz) max
Voltage rating	500 V(rms)
Test voltage	1000 V(rms)
Contact resistance:	
Center conductor	$\leq$ 3m $\Omega$
Out conductor	$\leq$ 2m $\Omega$
Insulation resistance	$\geq$ 5000M $\Omega$

#### Mechanical Data

Weight	3.4 g
Durability	500 Cycles

#### Environmental Data

Operating Temperature	-65 $^{\circ}$ C to 165 $^{\circ}$ C
-----------------------	--------------------------------------

#### Material Data

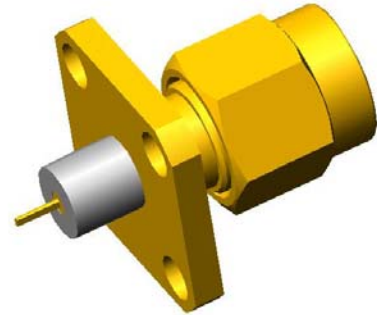
##### Piece Parts

Center contact	Beryllium copper
Body	Brass
Coupling nut	Brass
Gasket	Silicone Rubber
Insulator	PTFE

##### Material

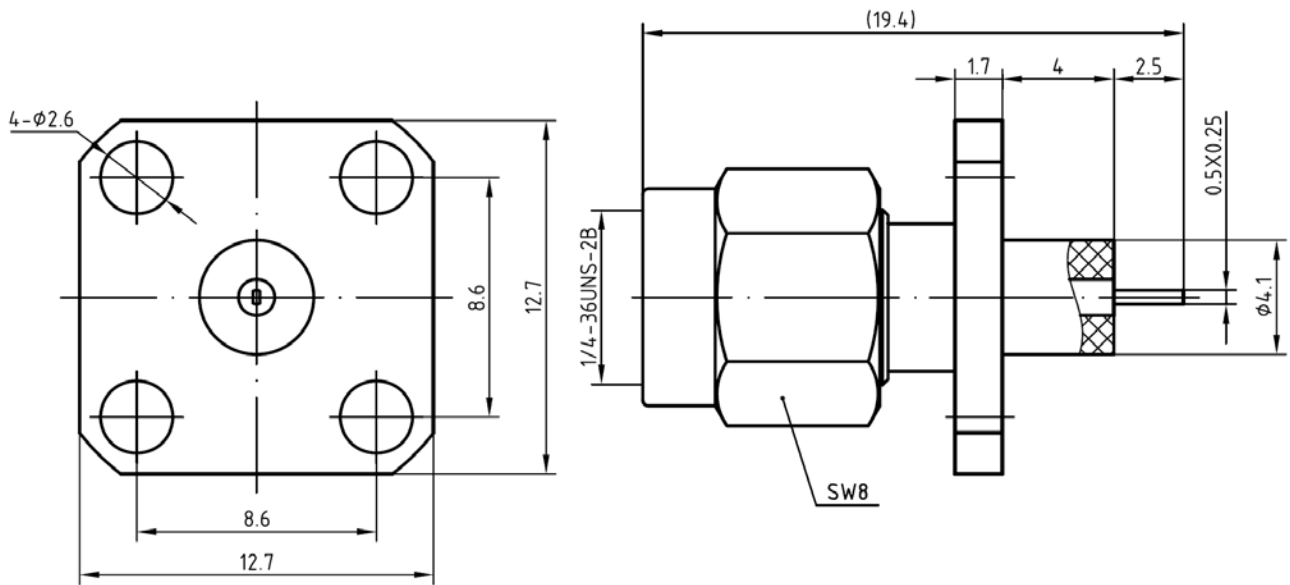
##### Surface Plating( $\mu$ m)

Gold 0.5 over Nickel 2.0
Gold 0.2 over Nickel 2.0
Gold 0.2 over Nickel 2.0



# Coaxial Straight Flange Connector: SMA-JFD8

## Outline drawing



## Packaging

Standard

100/Box=10 Bag

Other

Contact us