

Coaxial Cable Connector: BMA-KYB3A

Description

Straight panel cable jack, bulkhead mount, solder type cable .141

Interface standards

MIL-C-39012

Technical Data

Electrical Data

Impedance	50 Ω
Interface frequency max.	18 GHz
VSWR	1.05+0.02 \times f(GHz) max
Voltage rating	500 V(rms)
Test voltage	1000 V(rms)
Contact resistance:	
Center conductor	$\leq 3\text{m } \Omega$
Out conductor	$\leq 2\text{m } \Omega$
Insulation resistance	$\geq 5000\text{M } \Omega$

Mechanical Data

Center contact retention	
Axial force – Mating end	27 N min
Axial force – Opposite end	27 N min
Torque	2.8 N.cm min
Weight	7.2 g
Durability	500 Cycles

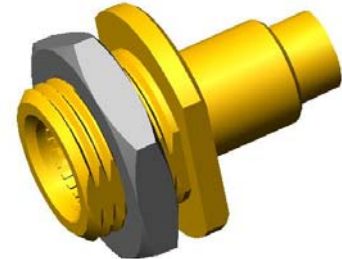
Environmental Data

Operating Temperature	-65 $^{\circ}\text{C}$ to 165 $^{\circ}\text{C}$
-----------------------	--

Material Data

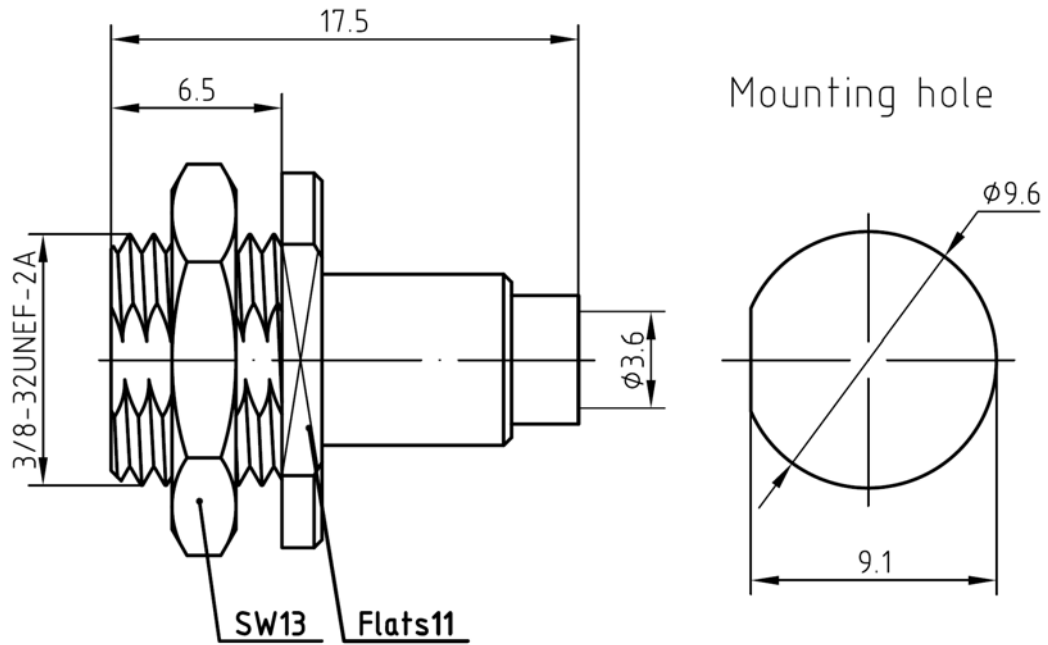
Piece Parts

	Material	Surface Plating(μm)
Body	Brass	Gold 0.2 over Nickel 2.0
Center contact	Beryllium copper	Gold 0.5 over Nickel 2.0
Outer contact	Beryllium copper	Gold 0.5 over Nickel 2.0
Other body part	Brass	Nickel 7.0 over copper 2.0
Insulator	PTFE	



Coaxial Cable Connector: BMA-KYB3A

Outline drawing



Packaging

Standard

100/Box=10 Bag

Other

Contact us