

Coaxial Straight Flange Connector: N-JFD8R

Description

Straight panel receptacle plug (male), flange mount

Interface standards

MIL-C-39012

Technical Data

Electrical Data

Impedance	50 Ω
Interface frequency max.	11 GHz
Voltage rating	1000 V(rms)
Test voltage	1500 V(rms)
Contact resistance:	
Center conductor	$\leq 1\text{m } \Omega$
Out conductor	$\leq 0.2\text{m } \Omega$
Insulation resistance	$\geq 5000\text{M } \Omega$

Mechanical Data

Center contact retention	
Axial force – Mating end	27 N mini
Axial force – Opposite end	27 N mini
Torque	2.8 N.cm mini
Weight	32 g
Durability	500 Cycles

Environmental Data

Operating Temperature	-65 °C to 165 °C
-----------------------	------------------

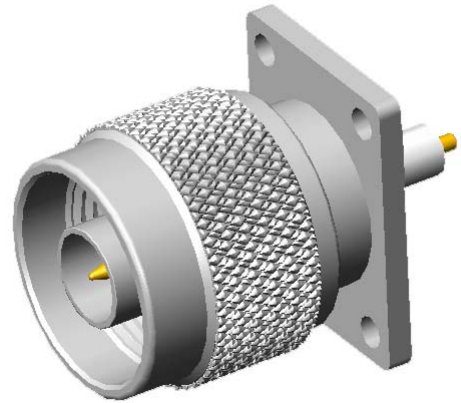
Material Data

Piece Parts

Center contact	Brass
Outer contact	Brass
Insulator	PTFE

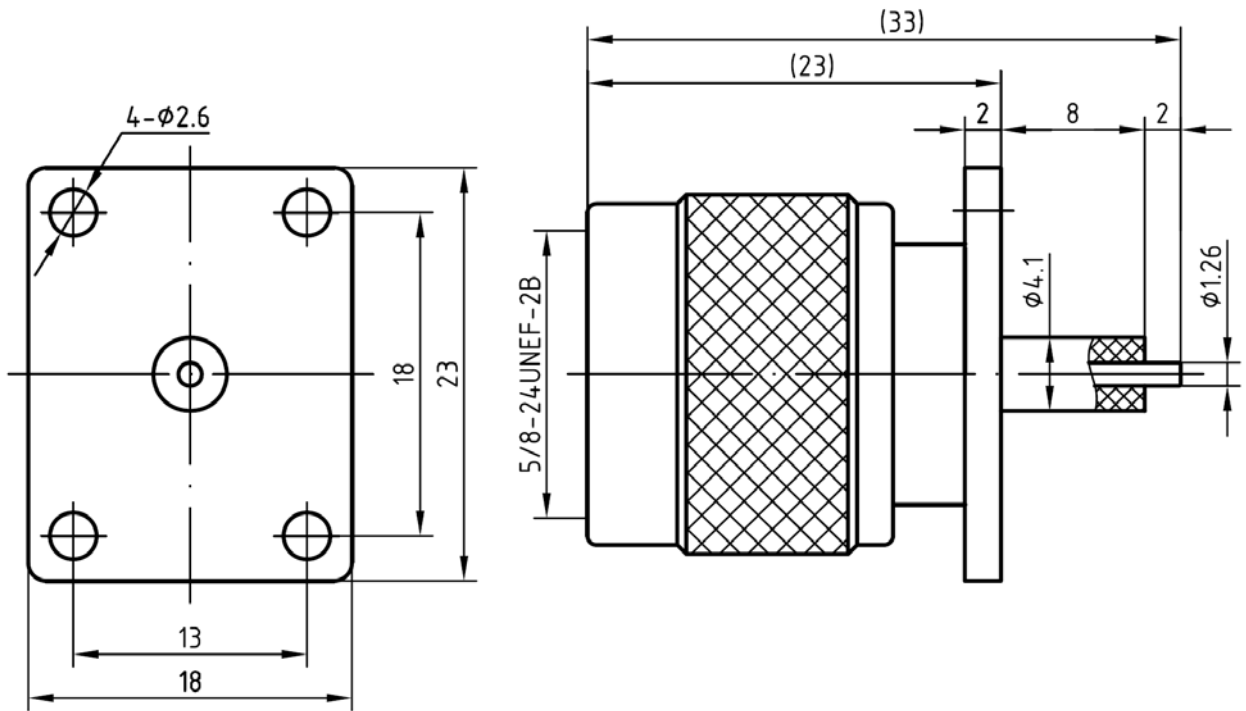
Surface Plating(μm)

Gold 0.5 over Nickel 2.0
Nickel 7.0 over copper 2.0



Coaxial Straight Flange Connector: N-JFD8R

Outline drawing



Packaging

Standard

Other

50/Box=5Bag

Contact us