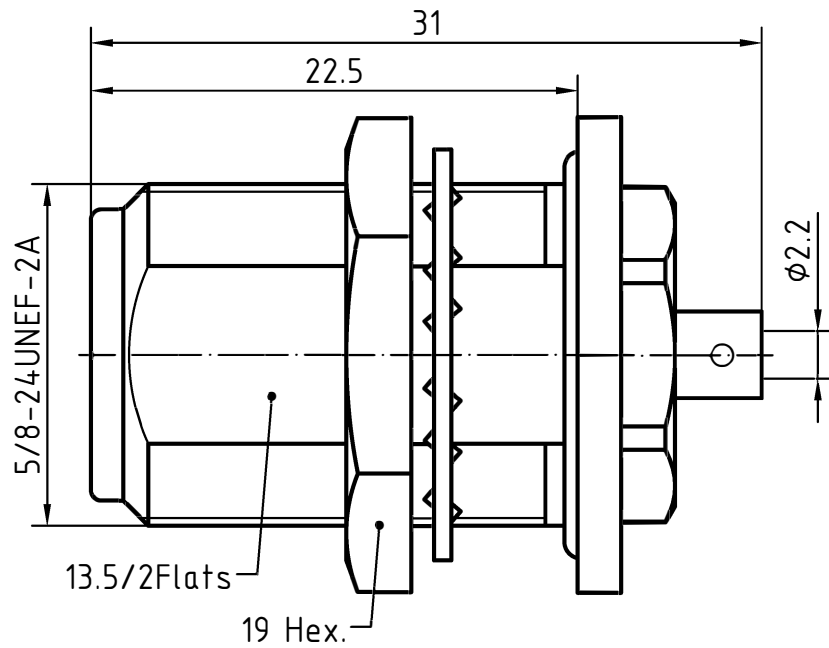
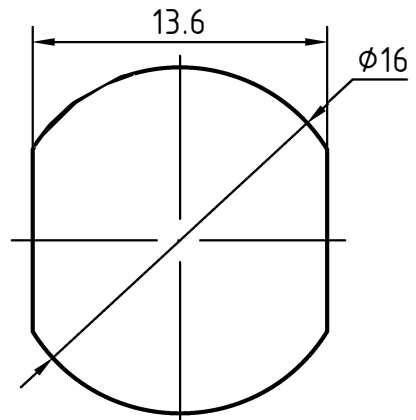
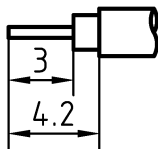


DRAWING



CABLE(UT086,RG405,670-086)

MOUNTING HOLE



7	1	O ring	Silicon rubber	
6	1	Washer	Phosphor bronze/Nickel plated	Nickel 5.0um over Copper 2.0um
5	1	Nut	Brass/Nickel plated	Nickel 5.0um over Copper 2.0um
4	1	Sodering body	Brass/SUCOplated	CuSnZn 2.0um over Copper 2.0um
3	1	Body	Brass/Nickel plated	Nickel 7.0um over Copper 2.0um
2	1	Insulator	PTFE	
1	1	Center contact	Phosphor bronze/Gold plated	Gold 0.3um over Nickel 2.0um

Designed by
Mingang Han

Checked by
Jinlong Gu

Approved by - date
Hongyu Du

File name
N-KYB2-1

Date
07.08.15

Scale
4 : 1

Amitron Electronics, Ltd.

N-KYB2-1

<http://www.amel.ru>

Edition
1.0

Sheet
1/1

CHARACTERISTICS

DESCRIPTION: N Type female BH connector

Electrical data:

<i>Impedance:</i>	50 ohm
<i>Frequency range:</i>	DC to 11 GHz
<i>Return loss:</i>	≥24dB, DC-2.0GHz ≥19dB, 2.0-4.0GHz ≥17.2dB, 4.0-6.0GHz
<i>Insertion loss:</i>	≤0.35dB
<i>Insulation resistance:</i>	≥5000MΩ
<i>Test voltage:</i>	2500 V rms
<i>Working voltage:</i>	1400 V rms
<i>Contact resistance:</i>	
1). Centre contact:	≤1.0 mΩ
2). Outer conductor:	≤0.25 mΩ
<i>Power handling (at 20 ° C, sea level, VSWR 1.0):</i>	≤1000 W @ 1 GHz ≤700 W @ 2 GHz

Environmental data:

<i>Temperature rating:</i>	-65 ° C to +165 ° C
<i>2002/95/EC (RoHS):</i>	Compliant

Mechanical data:

<i>Mating cycles:</i>	≥500
<i>Center contact captivation:</i>	≥15 N(axial)
<i>Coupling test torque:</i>	≤1.7 Nm
<i>Recommended torque:</i>	0.7 Nm to 1.1 Nm

Suitable cables:

UT086, RG405, 670-086