

DATA SHEET

Coaxial 2.4mm Series Adapter: 2.4-KK

Description

Adaptor 2.4mm jack (female) / 2.4mm jack (female)

Interface standards

MIL-STD-348

Technical Data

Electrical Data

Impedance	50 Ω
Interface frequency max.	50 GHz
VSWR	1.20max @50GHz
Insert loss	$\leq 0.04X \sqrt{f(\text{GHz})}$
RF Leakage	$\leq -100\text{dB}$
Voltage rating	350 V(rms)
Test voltage	750 V(rms)
Contact resistance:	
Center conductor	$\leq 4 \text{ m}\Omega$
Out conductor	$\leq 2.5 \text{ m}\Omega$
Insulation resistance	$\geq 5000\text{M}\Omega$

Mechanical Data

Weight	4.4 g
Durability	2000min Cycles

Environmental Data

Operating Temperature	-55 °C to +135 °C
-----------------------	-------------------

Material Data

Piece Parts

Center contact	Beryllium copper
Outer contact	Stainless Steel
Insulator	PEI (Ultem)

Material

Beryllium copper
Stainless Steel
PEI (Ultem)

Surface Plating(μm)

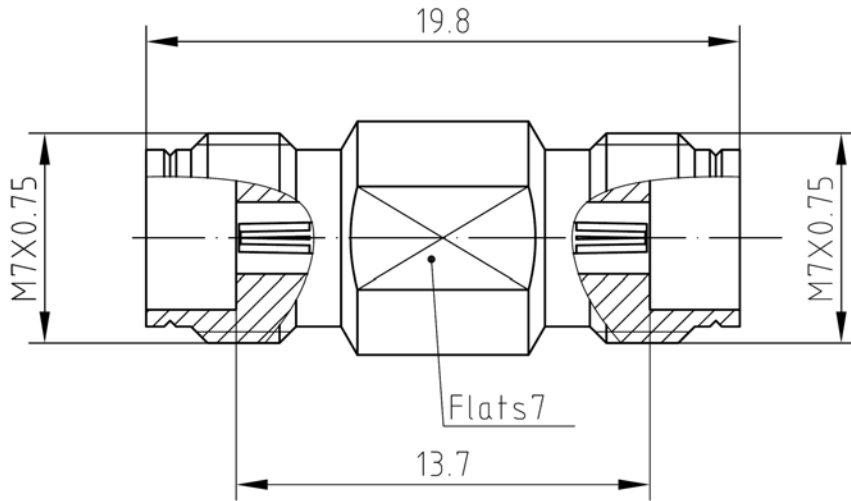
Gold 1.27 over nickle 2.0
Passivated



DATA SHEET Coaxial 2.4mm

Series Adapter: 2.4-KK

Outline drawing



Packaging

Standard

100/Box=10Bag

Other

Contact us