

## Coaxial Straight Bulkhead Connector: SMB-JY

### Description

Straight bulkhead jack solder type

### Interface standards

MIL-C-39012

### Technical Data

#### Electrical Data

Impedance	50 $\Omega$
Interface frequency max.	4 GHz
VSWR	1.05+0.05 $\times$ f(GHz) max
Voltage rating	250 V(rms)
Test voltage	750 V(rms)
Contact resistance:	
Center conductor	$\leq$ 6 m $\Omega$
Out conductor	$\leq$ 1.5 m $\Omega$
Insulation resistance	$\geq$ 1000M $\Omega$

#### Mechanical Data

Weight	2.6 g
Durability	500 Cycles

#### Environmental Data

Operating Temperature	-65 $^{\circ}$ C to 165 $^{\circ}$ C
-----------------------	--------------------------------------

#### Material Data

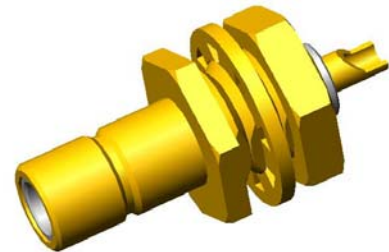
##### Piece Parts

Center contact	Brass
Body	Brass
Coupling nut	Brass
Insulator	PTFE

##### Material

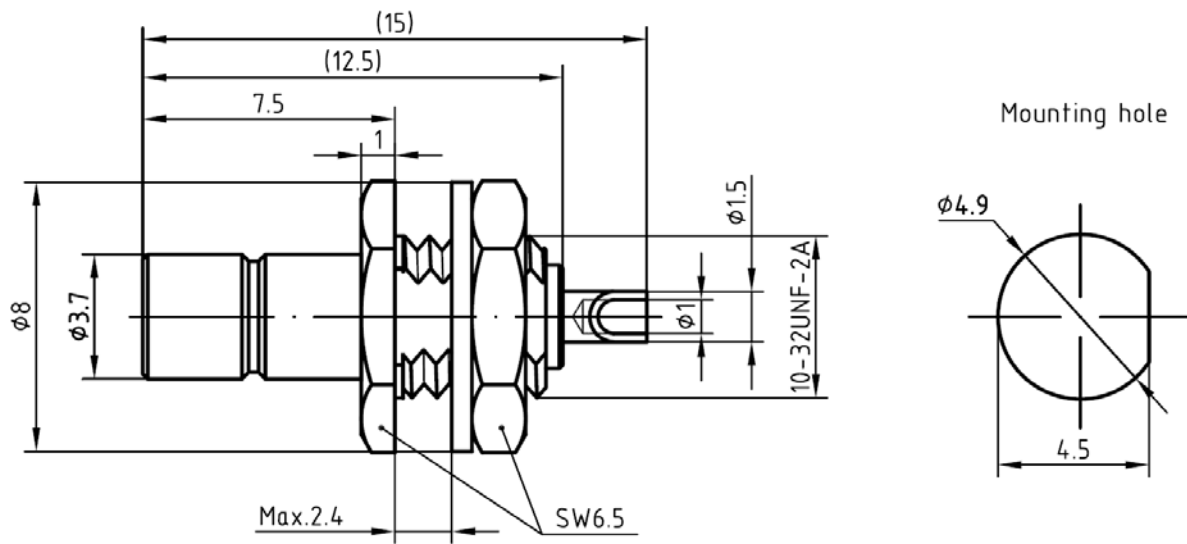
##### Surface Plating( $\mu$ m)

Center contact	Gold 0.5 over Nickel 2.0
Body	Gold 0.2 over Nickel 2.0
Coupling nut	Gold 0.2 over Nickel 2.0



# Coaxial Straight Bulkhead Connector: SMB-JY

## Outline drawing



## Packaging

Standard

150/Box=15 Bag

Other

Contact us