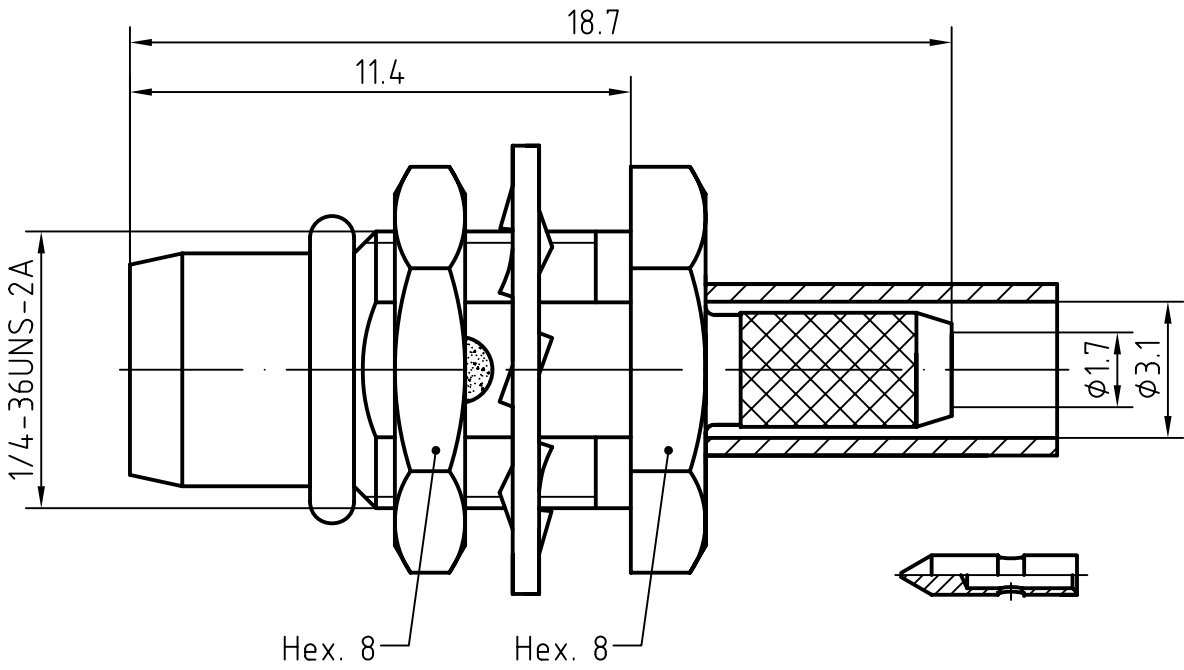
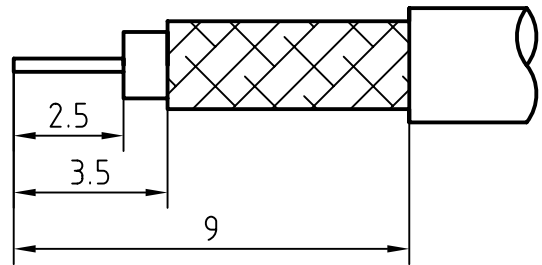
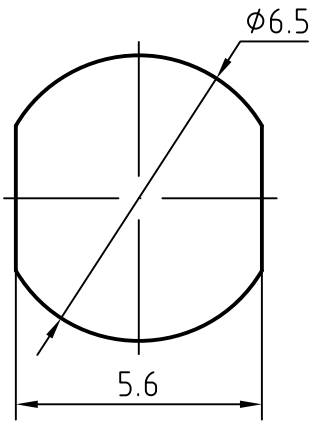


DRAWING



MOUNTING HOLE

CABLE(RG174A/U, RG188A/U, RG316/U)



6	1	O ring	Silicon rubber	
5	1	Gasket	Phosphor bronze/Gold plated	Gold 0.2 over Nickel 2.0
4	1	Nut	Brass/Gold plated	Gold 0.2 over Nickel 2.0
3	1	Body	Brass/Gold plated	Gold 0.2 over Nickel 2.0
2	1	Insulator	PTFE	
1	1	Center contact	Beryllium copper/Gold plated	Gold 0.5 over Nickel 2.0
Itemref	Quantity	Title/Name, designation, material, dimension etc		Article No./Reference

Designed by Mingang Han	Checked by Jinlong GU	Approved by - date Hongyu Du	File name BMA-JY3Y	Date 08.01.20	Scale 5 : 1
----------------------------	--------------------------	---------------------------------	-----------------------	------------------	----------------

Amitron Electronics, Ltd.

BMA-JY3Y

<http://www.amel.ru>

Edition
1.0

Sheet
1/1

CHARACTERISTICS

DESCRIPTION: BMA Type male BH connector

Electrical data:

<i>Impedance:</i>	<i>50 ohm</i>
<i>Frequency range:</i>	<i>DC to 6GHz</i>
<i>VSWR:</i>	<i>$\leq 1.08 + 0.03Xf(\text{GHz})$ For RG316</i>
<i>Insertion loss:</i>	<i>$\leq 0.08 \sqrt{f(\text{GHz})}$ dB</i>
<i>Insulation resistance:</i>	<i>$\geq 5000M\Omega$</i>
<i>Test voltage:</i>	<i>375 V/50Hz For RG316</i>
<i>Contact resistance:</i>	
1). <i>Centre contact:</i>	<i>3.0 mΩ</i>
2). <i>Outer conductor:</i>	<i>2.0 mΩ</i>

Environmental data:

<i>Temperature rating:</i>	<i>-65 ° C to +165 ° C</i>
<i>2002/95/EC (RoHS):</i>	<i>Compliant</i>

Mechanical data:

<i>Mating cycles:</i>	<i>≥ 500</i>
-----------------------	------------------------------

Suitable cables:

RG174/U, RG188A/U, RG316/U