

## Coaxial Straight Flange Connector: SMA-JFD9

### Description

Straight panel receptacle plug (male), flange mount

### Interface standards

MIL-C-39012

### Technical Data

#### Electrical Data

Impedance	50 $\Omega$
Interface frequency max.	18 GHz
VSWR	$1.05+0.01 \times f(\text{GHz})$ max
Voltage rating	500 V(rms)
Test voltage	1000 V(rms)
Contact resistance:	
Center conductor	$\leq 3\text{m } \Omega$
Out conductor	$\leq 2\text{m } \Omega$
Insulation resistance	$\geq 5000\text{M } \Omega$

#### Mechanical Data

Weight	3.3 g
Durability	500 Cycles

#### Environmental Data

Operating Temperature	-65 °C to 165 °C
-----------------------	------------------

#### Material Data

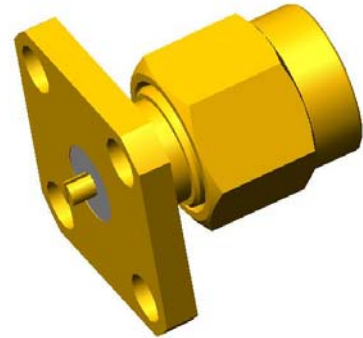
##### Piece Parts

Center contact	Brass
Body	Brass
Coupling nut	Brass
Gasket	Silicone Rubber
Insulator	PTFE

##### Material

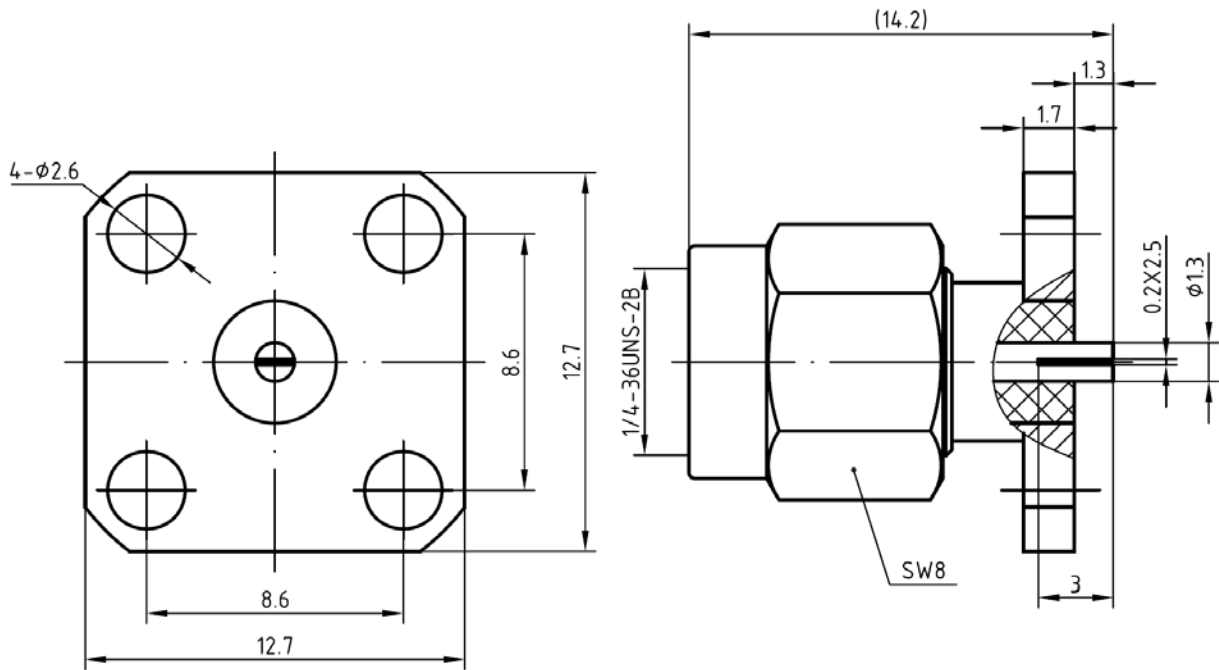
##### Surface Plating( $\mu\text{m}$ )

Gold 0.5 over Nickel 2.0
Gold 0.2 over Nickel 2.0
Gold 0.2 over Nickel 2.0



# Coaxial Straight Flange Connector: SMA-JFD9

## Outline drawing



## Packaging

Standard

100/Box=10 Bag

Other

Contact us