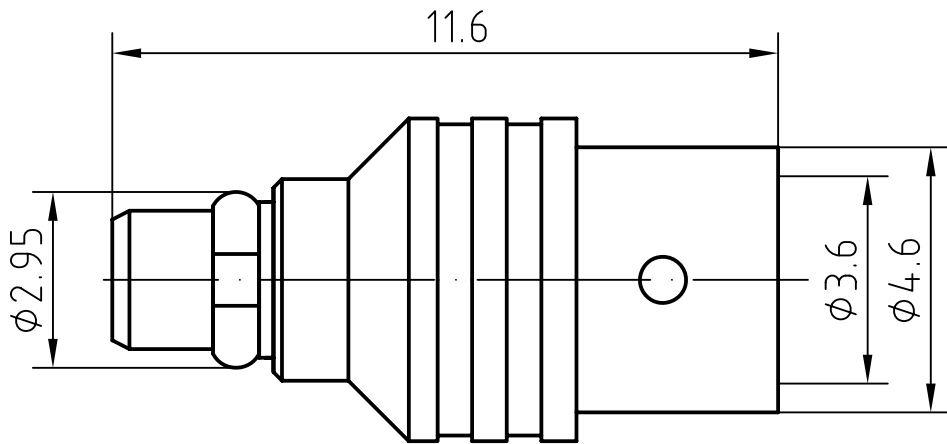
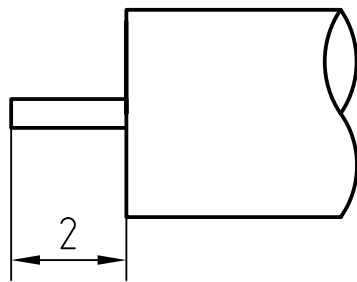


DRAWING



CABLE(UT141,RG402,670-141)



4	1	Body	Brass/Gold plated	Gold 0.2um over Nickel 2um
3	1	Spring ring	Beryllium copper/Gold plated	Gold 0.2um over Nickel 2um
2	1	Insulator	PFTE	
1	1	Center contact	Brass/Gold plated	Gold 0.5um over Nickel 2um

Designed by Mingang Han	Checked by Jinlong Gu	Approved by - date Hongyu Du	File name MMCX-JB3	Date 07.07.10	Scale 1 : 1
----------------------------	--------------------------	---------------------------------	-----------------------	------------------	----------------

Amitron Electronics, Ltd.	MMCX-JB3			
	http://www.amel.ru	Edition 1.0	Sheet 1/1	

CHARACTERISTICS

DESCRIPTION: MMCX Type male connector

Electrical data:

<i>Impedance:</i>	<i>50 ohm</i>
<i>Frequency range:</i>	<i>DC to 6 GHz</i>
<i>VSWR:</i>	$\leq 1.1 + 0.03 \times f[\text{GHz}]$
<i>Insertion loss:</i>	$\leq 0.15 \times \sqrt{f[\text{GHz}]} \text{ dB}$
<i>Insulation resistance:</i>	$\geq 1000\text{M}\Omega$
<i>Test voltage:</i>	<i>500 V rms</i>
<i>Working voltage:</i>	<i>150 V rms</i>
<i>Contact resistance:</i>	
1). <i>Centre contact:</i>	<i>5.0 mΩ</i>
2). <i>Outer conductor:</i>	<i>2.5 mΩ</i>
<i>RF leakage(measured at 1GHz):</i>	$\geq 70\text{dB}$

Environmental data:

<i>Temperature rating:</i>	<i>+65 ° C to +165 ° C</i>
<i>2002/95/EC (RoHS):</i>	<i>Compliant</i>

Mechanical data:

<i>Mating cycles:</i>	≥ 500
<i>Center contact captivation:</i>	$\geq 10 \text{ N(axial)}$
<i>Engagement force:</i>	$\leq 15 \text{ N}$
<i>Disengagement force:</i>	<i>6N~15N</i>

Suitable cables:

UT141,RG402,670-141