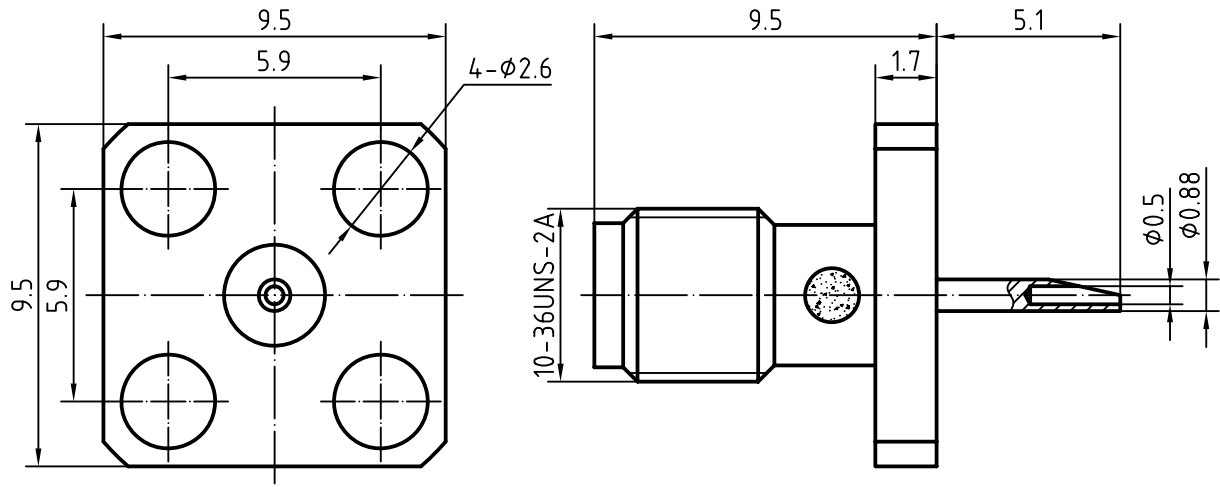
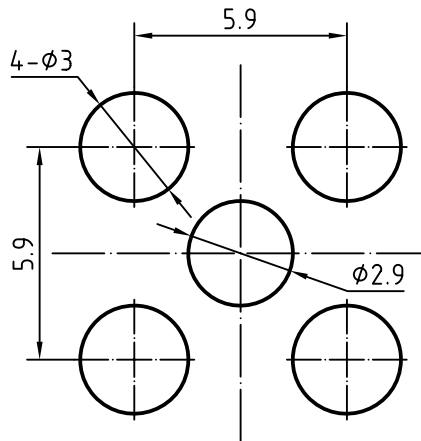


DRAWING



MOUNTING HOLE



3	1	Body	Brass/Gold plated	Gold 0.3 over Nickel 2.0
2	1	Insulator	PTFE	
1	1	Center pin	Beryllium copper/Gold plated	Gold 0.5 over Nickel 2.0
Itemref	Quantity	Title/Name, designation, material, dimension etc		Article No./Reference

Designed by Mingang Han	Checked by Jinlong GU	Approved by - date Hongyu Du	File name SSMA-KFD	Date 10.04.30	Scale 5 : 1
----------------------------	--------------------------	---------------------------------	-----------------------	------------------	----------------

Amitron Electronics, Ltd.

SSMA-KFD

<http://www.amel.ru>

Edition 1.0	Sheet 1/1
----------------	--------------

CHARACTERISTICS

DESCRIPTION:

SSMA female FL connector

Electrical data:

<i>Impedance:</i>	<i>50 ohm</i>
<i>Frequency range:</i>	<i>DC to 18 GHz</i>
<i>VSWR:</i>	<i>$\leq 1.06 + 0.005 \times f$ [GHz], DC to 8 GHz</i>
<i>Insertion loss:</i>	<i>$\leq 0.08 \times \sqrt{f}$ [GHz] dB</i>
<i>Insulation resistance:</i>	<i>$\geq 1000M\Omega$</i>
<i>Test voltage:</i>	<i>750 V rms</i>
<i>Working voltage:</i>	<i>350 V rms</i>
<i>Contact resistance:</i>	
1). <i>Centre contact:</i>	<i>4.0 mΩ</i>
2). <i>Outer conductor:</i>	<i>2.5 mΩ</i>

Environmental data:

<i>Temperature rating:</i>	<i>-55 ° C to +155 ° C</i>
<i>2002/95/EC (RoHS):</i>	<i>Compliant</i>

Mechanical data:

<i>Mating cycles:</i>	<i>≥ 500</i>
<i>Coupling nut retention</i>	<i>≥ 270 N</i>
<i>Coupling test torque:</i>	<i>≤ 1.3 Nm</i>
<i>Recommended torque:</i>	<i>0.46 Nm to 0.69 Nm</i>

Suitable cables:

N/A

Amitron Electronics, Ltd.

<http://www.amel.ru>

e-mail: mailbox@amel.ru