

# Coaxial Cable Connector: BNC-KY300Y

## Description

Straight Bulkhead Jack for flexible cable LMR300

## Interface standards

MIL-C-39012

## Technical Data

### Electrical Data

Impedance	50 $\Omega$
Interface frequency max.	4 GHz
VSWR	$1.10+0.02 \times f(\text{GHz})$ max
Voltage rating	500 V(rms)
Test voltage	1000 V(rms)
Center conductor	$\leq 1.5\text{m} \Omega$
Out conductor	$\leq 1.0\text{m} \Omega$
Insulation resistance	$\geq 5000\text{M} \Omega$

### Mechanical Data

Weight	23.5 g
Durability	500 Cycles

### Environmental Data

Operating Temperature	-65 °C to 165 °C
-----------------------	------------------

### Material Data

#### Piece Parts

Center contact	Phosphor Bronze
Body	Brass
Other pieces	Brass
Gasket	Silicone Rubber
Insulator	PTFE

#### Material

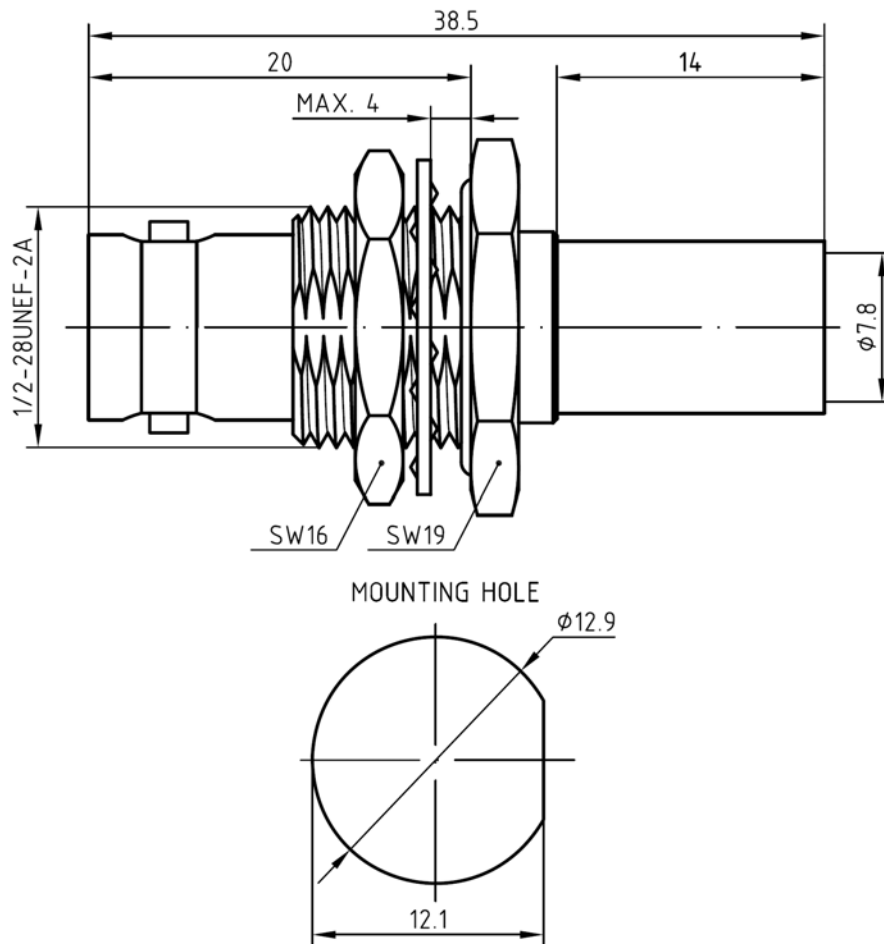
#### Surface Plating( $\mu\text{m}$ )

Gold 0.5 over copper 2.0
Nickel 7.0 over copper 2.0
Nickel 7.0 over copper 2.0



# Coaxial Cable Connector: BNC-KY300Y

## Outline drawing



## Packaging

Standard

Other

100/Box=10 Bag

Contact us