

Coaxial Cable Connector: SMB-JWHD11

Description

SMB Right Angle jack receptacle for PCB solder legs

Interface standards

MIL-C-39012

Technical Data

Electrical Data

Impedance	50 Ω
Interface frequency max.	4 GHz
VSWR	1.08+0.05 \times f(GHz) max
Voltage rating	250 V(rms)
Test voltage	750 V(rms)
Contact resistance:	
Center conductor	\leq 6m Ω
Out conductor	\leq 1.5m Ω
Insulation resistance	\geq 1000M Ω

Mechanical Data

Weight	3.85 g
Durability	500 Cycles

Environmental Data

Operating Temperature	-65 $^{\circ}$ C to 165 $^{\circ}$ C
-----------------------	--------------------------------------

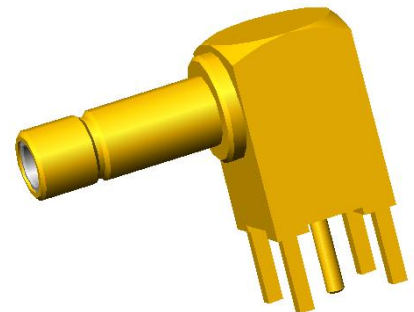
Material Data

Piece Parts

Center contact	Brass
Body	Brass
Insulator	PTFE

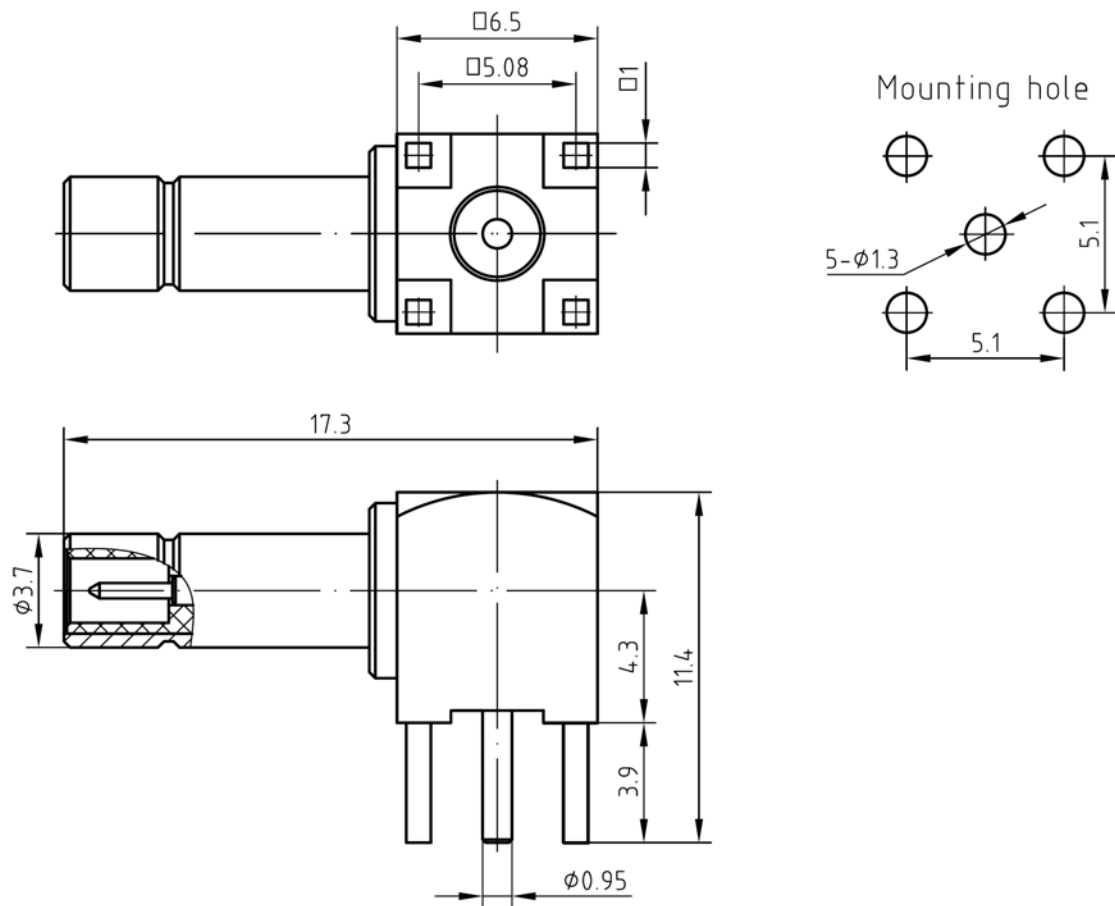
Surface Plating(μ m)

Gold 0.5 over Nickel 2.0
Gold 0.2 over Nickel 2.0



Coaxial Cable Connector:SMB-JWHD11

Outline drawing



Packaging

Standard

100/Box=10 Bag

Other

Contact us