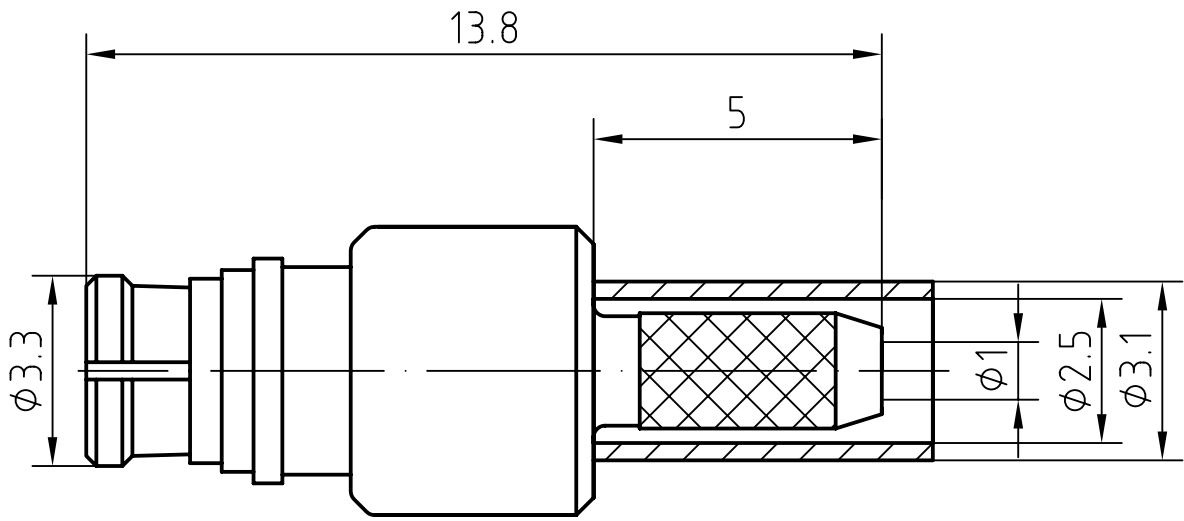
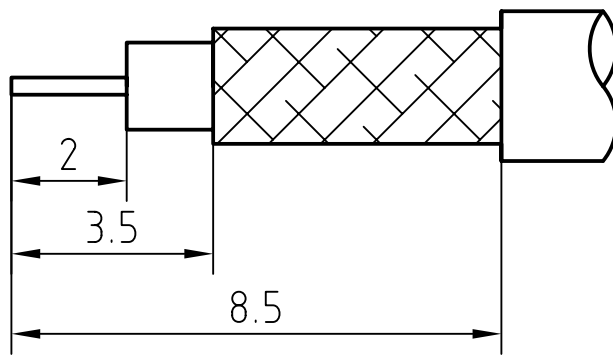


DRAWING



CABLE(RG178/U)



4	1	Spring contact	Beryllium copper/Gold plated	Gold 0.2um over Nickel 2um
3	1	Body	Brass/Gold plated	Gold 0.2um over Nickel 2um
2	1	Insulator	PTFE	
1	1	Center contact	Beryllium copper/Gold plated	Gold 0.5um over Nickel 2um

Designed by Mingang Han	Checked by Jinlong Gu	Approved by - date Hongyu Du	File name SMP-K2	Date 07.08.22	Scale 10 : 1
----------------------------	--------------------------	---------------------------------	---------------------	------------------	-----------------

Amitron Electronics, Ltd.	SMP-K2	
	http://www.amel.ru	Edition 1.0 Sheet 1/1

CHARACTERISTICS

DESCRIPTION: SMP Type female connector

Electrical data:

<i>Impedance:</i>	50 ohm
<i>Frequency range:</i>	DC to 6 GHz
<i>VSWR:</i>	≤1.3:1
<i>Insertion loss:</i>	≤0.1X $\sqrt{f[\text{GHz}]}$ dB
<i>Insulation resistance:</i>	≥5 GΩ
<i>Test voltage:</i>	500 V rms
<i>Working voltage:</i>	335 V rms
<i>Contact resistance:</i>	
1). Centre contact:	6.0 mΩ
2). Outer conductor:	2.0 mΩ
<i>Contact Current:</i>	1.2A DC max.

Environmental data:

<i>Temperature rating:</i>	-65 ° C to +165 ° C
<i>2002/95/EC (RoHS):</i>	Compliant

Mechanical data:

<i>Mating cycles:</i>	
<i>if mating part is smooth bore:</i>	≥ 1000
<i>if mating part is limited detent:</i>	≥ 500
<i>if mating part is full detent:</i>	≥ 100
<i>Center contact captivation:</i>	≥ 7 N(axial)
<i>Engagement force:</i>	<i>Disengagement force:</i>
<i>smooth bore: <9N</i>	<i>smooth bore: <2.2N</i>
<i>limited detent: <45N</i>	<i>limited detent: <9N</i>
<i>full detent: <68N</i>	<i>full detent: <22N</i>

Suitable cables:

RG178

Amitron Electronics, Ltd.

<http://www.amel.ru>

e-mail: mailbox@amel.ru