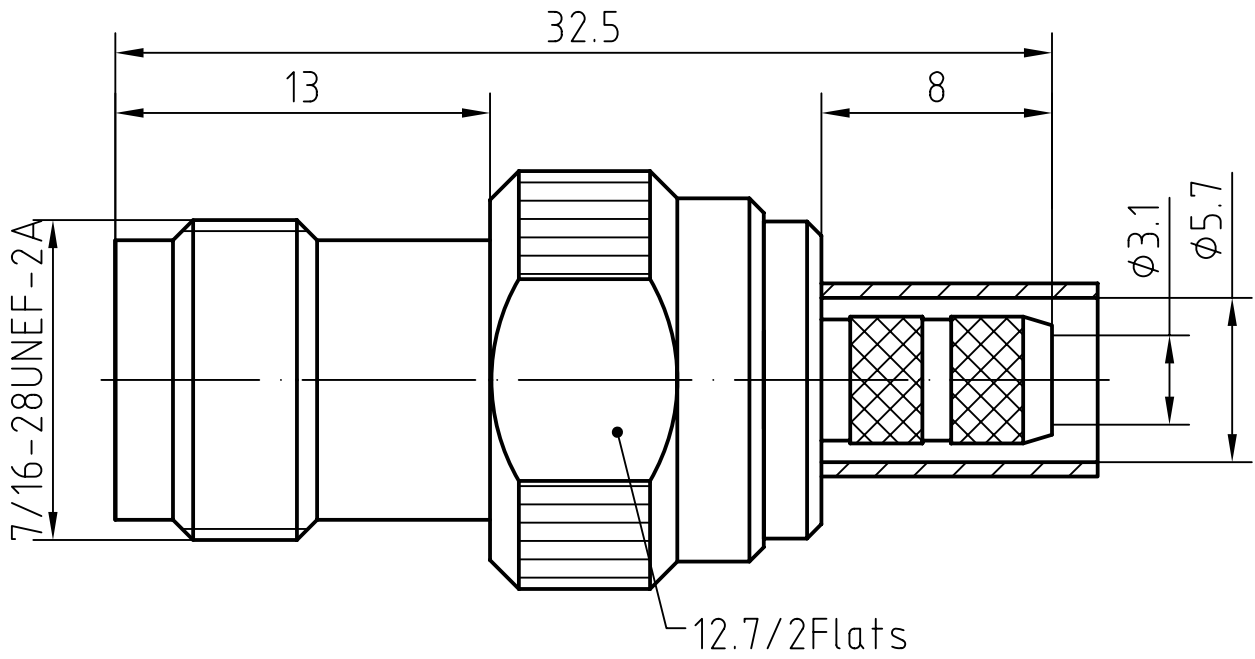
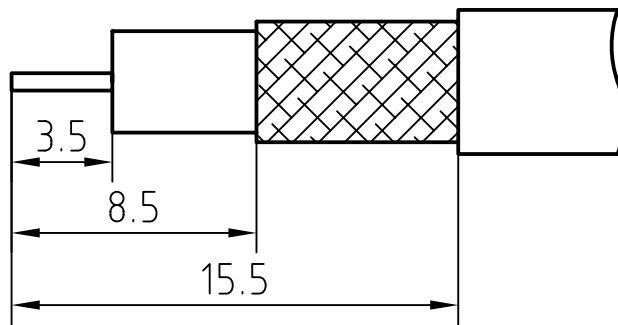


DRAWING



CABLE(RG142B/U, RG223/U, RG400/U)



| 3 | 1 | Body | Brass/Nickel plated | Nickel 5um over Copper 2um |
|---------|----------|--|-----------------------------|----------------------------|
| 2 | 1 | Insulator | PTFE | |
| 1 | 1 | Centor contact | Phosphor bronze/Gold plated | Gold 0.2um over Nickel 2um |
| Itemref | Quantity | Title/Name, designation, material, dimension etc | | Article No./Reference |

| | | | | | |
|----------------------------|--------------------------|---------------------------------|-----------------------|------------------|----------------|
| Designed by Mingang Han | Checked by Jinlong GU | Approved by - date Hongyu Du | File name TNC-K5DY | Date 08.02.12 | Scale 4 : 1 |
|----------------------------|--------------------------|---------------------------------|-----------------------|------------------|----------------|

| | | | |
|---------------------------|---|----------------|--------------|
| Amitron Electronics, Ltd. | TNC-K5DY | | |
| | http://www.amel.ru | Edition 1.0 | Sheet 1/1 |

CHARACTERISTICS

DESCRIPTION: TNC Type female connector

Electrical data:

| | |
|---|--|
| <i>Impedance:</i> | 50 ohm |
| <i>Frequency range:</i> | DC to 10 GHz |
| <i>VSWR:</i> | $\leq 1.08 + 0.025Xf[\text{GHz}]$ |
| <i>Insertion loss:</i> | $\leq 0.08X \sqrt{f[\text{GHz}]} \text{ dB}$ |
| <i>Insulation resistance:</i> | $\geq 5000\text{M}\Omega$ |
| <i>Test voltage:</i> | 1500 V rms |
| <i>Working voltage:</i> | 500 V rms |
| <i>Contact resistance:</i> | |
| 1). Centre contact: | 1.5 m Ω |
| 2). Outer conductor: | 1.0 m Ω |
| <i>Power handling (at 20 ° C, sea level, VSWR 1.0):</i> | $\leq 80 \text{ W @ } 2 \text{ GHz}$ |

Environmental data:

| | |
|----------------------------|---------------------|
| <i>Temperature rating:</i> | -65 ° C to +165 ° C |
| <i>2002/95/EC (RoHS):</i> | Compliant |

Mechanical data:

| | |
|------------------------------------|----------------------------|
| <i>Mating cycles:</i> | ≥ 500 |
| <i>Center contact captivation:</i> | $\geq 15 \text{ N(axial)}$ |
| <i>Coupling test torque:</i> | $\leq 1.7 \text{ Nm}$ |
| <i>Recommended torque:</i> | 0.46 Nm to 0.69 Nm |

Suitable cables:

RG142B/U, RG223/U, RG400/U