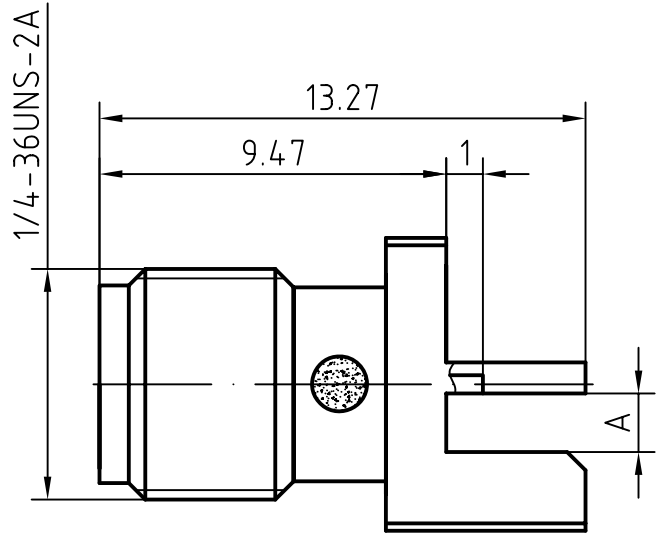
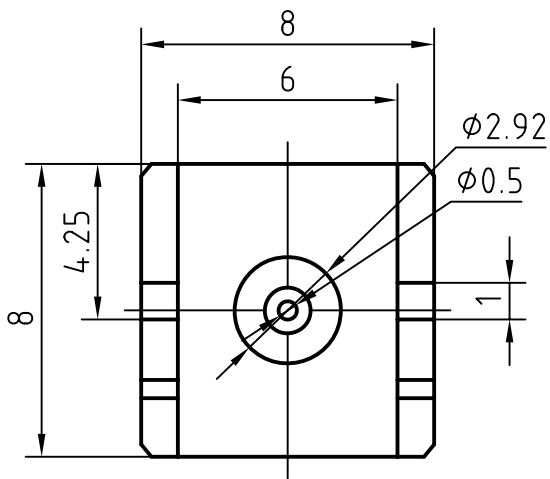


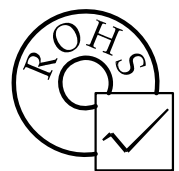
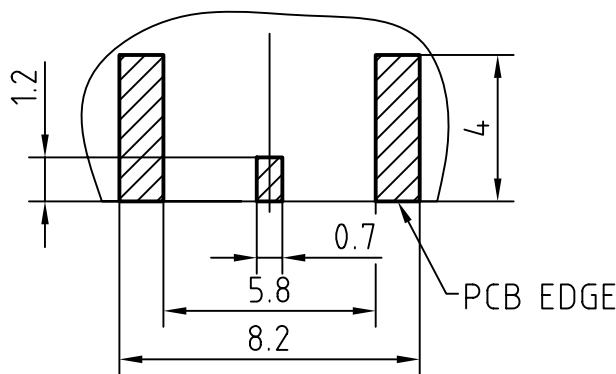
DRAWING



	Dimension A mm	Amitron Electronics, Ltd.
1	0.60	SMA-KHDC8006
2	0.80	SMA-KHDC8008
3	1.00	SMA-KHDC8010
4	1.10	SMA-KHDC8011
5	1.20	SMA-KHDC8012
6	1.30	SMA-KHDC8013

	Dimension A mm	Amitron Electronics, Ltd.
7	1.50	SMA-KHDC8015
8	1.60	SMA-KHDC8016
9	1.73	SMA-KHDC8017
10	2.10	SMA-KHDC8021
11	2.25	SMA-KHDC8022
12	3.60	SMA-KHDC8036

RECOMMENDED PCB LAYOUT



3	1	Body	Brass/Gold plated	Gold 0.2um over Nickel 2.0um
2	1	Insulator	PTFE	
1	1	Center contact	Beryllium copper/Gold plated	Gold 0.5um over Nickel 2.0um
Itemref	Quantity	Title/Name, designation, material, dimension etc		Article No./Reference

Designed by Mingang Han	Checked by Jinlong Gu	Approved by - date Hongyu Du	File name SMA-KHDC80XX	Date 17.07.31	Scale 6 : 1
----------------------------	--------------------------	---------------------------------	---------------------------	------------------	----------------

Amitron Electronics, Ltd.

SMA-KHDC80XX

<http://www.amel.ru>

Edition
1.0

Sheet
1/1

CHARACTERISTICS

DESCRIPTION: SMA Type female connector edge mount

Electrical data:

Impedance: 50 ohm
Frequency range: DC to 26.5 GHz
VSWR: $\leq 1.22:1$ @ 18GHz
 $\leq 1.43:1$ @ 26.5GHz
Insertion loss: $\leq 0.08 \times \sqrt{f[\text{GHz}]}$ dB
Insulation resistance: $\geq 5000\text{M}\Omega$
Test voltage: 1000 V rms
Working voltage: 480 V rms
Contact resistance:
1). Centre contact: 3.0 m Ω
2). Outer conductor: 2.0 m Ω
Power handling (at 20 °C, sea level, VSWR 1.0) ≤ 200 W @ 2 GHz; ≤ 100 W @ 10 GHz
RF-leakage ≥ 100 dB up to 1 GHz

Environmental data:

Temperature rating: -40° C to +125° C
2002/95/EC (RoHS): Compliant

Mechanical data:

Mating cycles: ≥ 500
Center contact captivation: ≥ 15 N(axial)
Coupling test torque: ≤ 1.7 Nm
Recommended torque: 0.46 Nm to 0.69 Nm

Suitable cables:

N/A