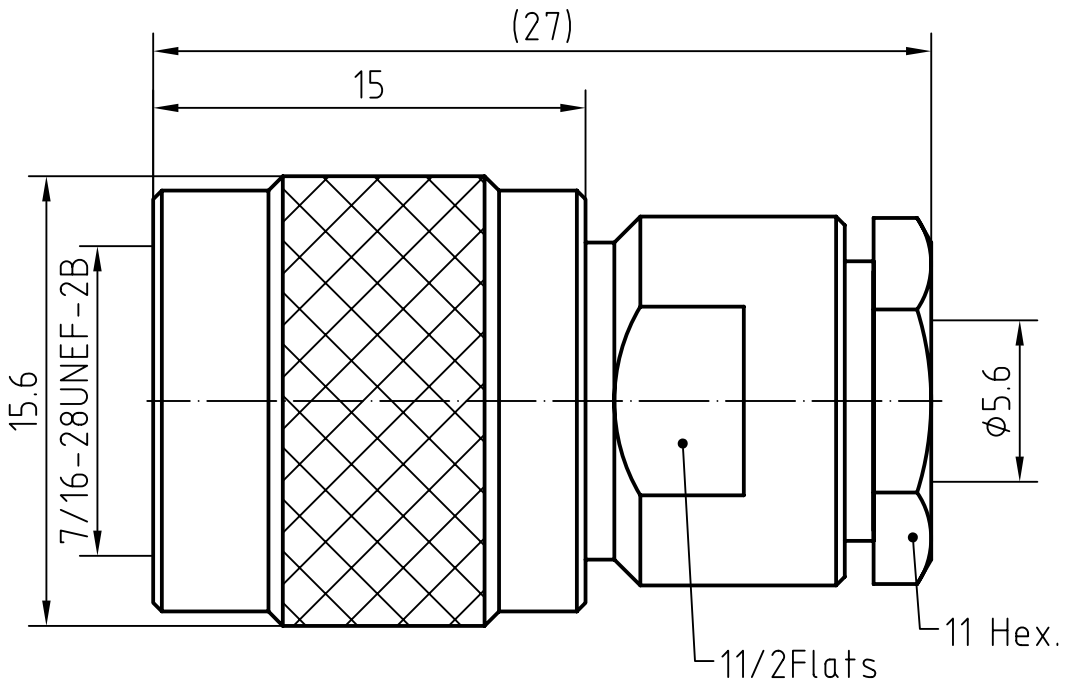


DRAWING



| | | | | |
|---------|----------|--|---------------------|--------------------------------|
| 5 | 1 | O ring | Silicone rubber | |
| 4 | 1 | Coupling nut | Brass/Nickel plated | Nickel 5.0um over Copper 2.0um |
| 3 | 1 | Body | Brass/Nickel plated | Nickel 5.0um over Copper 2.0um |
| 2 | 1 | Insulator | PTFE | |
| 1 | 1 | Centor contact | Brass/Gold plated | Gold 0.2um over Nickel 2.0um |
| Itemref | Quantity | Title/Name, designation, material, dimension etc | | Article No./Reference |

| | | | | | |
|-------------|------------|--------------------|-----------|------|-------|
| Designed by | Checked by | Approved by - date | File name | Date | Scale |
|-------------|------------|--------------------|-----------|------|-------|

| | | |
|---------------------------|---|---------------|
| Amitron Electronics, Ltd. | TNC-J200 | |
| | http://www.amel.ru | Edition Sheet |

CHARACTERISTICS

DESCRIPTION: TNC Type male connector

Electrical data:

| | |
|---|--|
| <i>Impedance:</i> | 50 ohm |
| <i>Frequency range:</i> | DC to 6.0 GHz |
| <i>VSWR:</i> | $\leq 1.1 + 0.05 \times f[\text{GHz}]$ |
| <i>Insertion loss:</i> | $\leq 0.20 \times \sqrt{f[\text{GHz}]} \text{ dB}$ |
| <i>Insulation resistance:</i> | $\geq 5000 \text{ M}\Omega$ |
| <i>Test voltage:</i> | 1500 V rms |
| <i>Working voltage:</i> | 500 V rms |
| <i>Contact resistance:</i> | |
| 1). Centre contact: | 1.5 m Ω |
| 2). Outer conductor: | 1.0 m Ω |
| <i>Power handling (at 20 ° C, sea level, VSWR 1.0):</i> | $\leq 80 \text{ W @ 2 GHz}$ |

Environmental data:

| | |
|----------------------------|---------------------|
| <i>Temperature rating:</i> | -65 ° C to +165 ° C |
| <i>2002/95/EC (RoHS):</i> | Compliant |

Mechanical data:

| | |
|------------------------------------|----------------------------|
| <i>Mating cycles:</i> | ≥ 500 |
| <i>Center contact captivation:</i> | $\geq 15 \text{ N(axial)}$ |
| <i>Coupling test torque:</i> | $\leq 1.7 \text{ Nm}$ |
| <i>Recommended torque:</i> | 0.46 Nm to 0.69 Nm |

Suitable cables:

LMR200
PK50-3-38