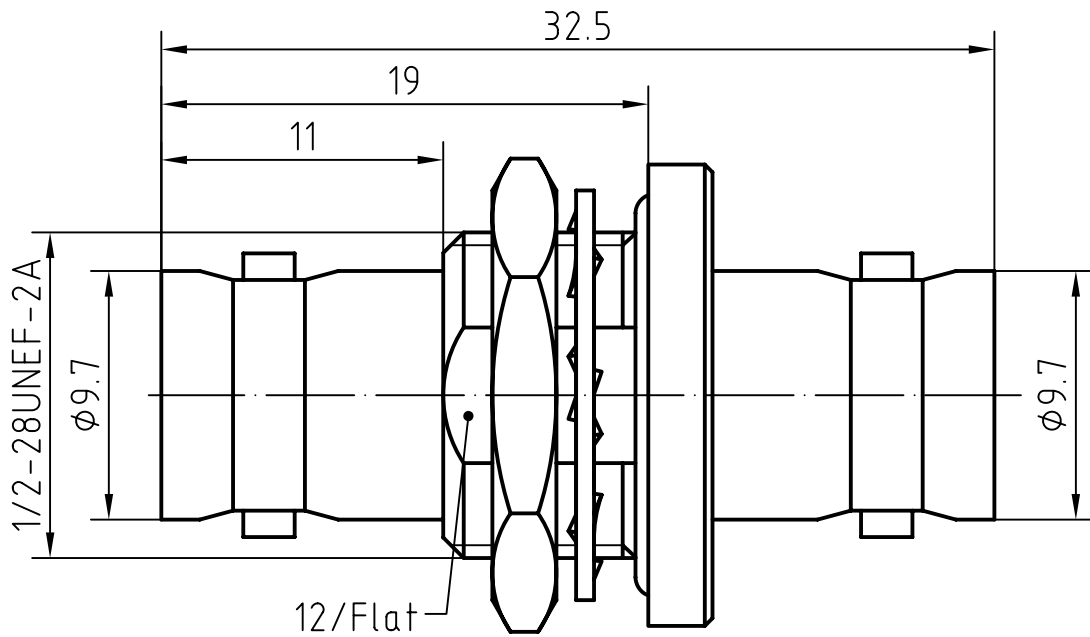
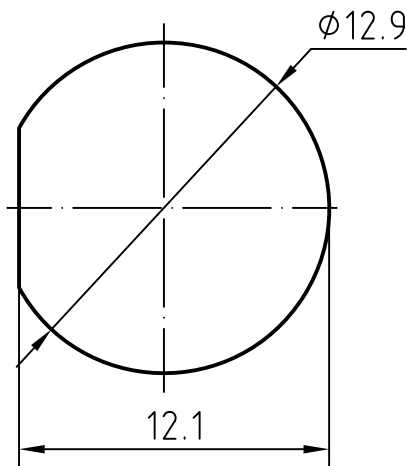


DRAWING



MOUNTONG HOLE



6	1	Nut	Brass/Nickel plated	Nickel 7um over copper 2um
5	1	Lockwasher	Phosphor bronze/Nickel plated	Nickel 7um over copper 2um
4	1	O ring	Silicone rubber	
3	1	Body	Brass/Nickel plated	Nickel 7um over copper 2um
2	1	Insulator	PTFE	
1	1	Centre contact	Phosphor bronze/Gold plated	Gold 0.3um over Nickel 2um
Itemref	Quantity	Title/Name, designation, material, dimension etc		Article No./Reference

Designed by Mingang Han	Checked by Jinlong GU	Approved by - date Hongyu Du	File name BNC-KYK	Date 08.12.18	Scale 4 : 1
----------------------------	--------------------------	---------------------------------	----------------------	------------------	----------------

Amitron Electronics, Ltd.

BNC-KYK

<http://www.amel.ru>

Edition
1.0

Sheet
1/1

CHARACTERISTICS

DESCRIPTION:

ADAPTOR BNC JACK TO JACK BH

Electrical data:

<i>Impedance:</i>	50 ohm
<i>Frequency range:</i>	DC to 4 GHz
<i>VSWR:</i>	$\leq 1.15:1, DC-3GHz$ $\leq 1.25:1, 3-4GHz$
<i>Insertion loss:</i>	$\leq 0.1 \times \sqrt{f[GHz]} \text{ dB}$
<i>Insulation resistance:</i>	$\geq 5000M\Omega$
<i>Test voltage:</i>	1500 V rms
<i>Working voltage:</i>	400 V rms
<i>Contact resistance:</i>	
1). Centre contact:	1.5 m Ω
2). Outer conductor:	1.0 m Ω
<i>Power handling (at 20 ° C, sea level, VSWR 1.0):</i>	$\leq 80 \text{ W @ } 2 \text{ GHz}$

Environmental data:

<i>Temperature rating:</i>	-65 ° C to +165 ° C
<i>2002/95/EC (RoHS):</i>	Compliant

Mechanical data:

<i>Mating cycles:</i>	≥ 500
<i>Center contact captivation:</i>	$\geq 15 \text{ N(axial)}$

Suitable cables:

N/A