

Coaxial Straight Bulkhead Connector: SMB-JYD

Description

Straight bulkhead jack solder type

Interface standards

MIL-C-39012



Technical Data

Electrical Data

Impedance	50 Ω
Interface frequency max.	4 GHz
VSWR	1.05+0.05 \times f(GHz) max
Voltage rating	250 V(rms)
Test voltage	750 V(rms)
Contact resistance:	
Center conductor	≤ 6 m Ω
Out conductor	≤ 1.5 m Ω
Insulation resistance	≥ 1000 M Ω

Mechanical Data

Weight	2.6 g
Durability	500 Cycles

Environmental Data

Operating Temperature	-65 $^{\circ}$ C to 165 $^{\circ}$ C
-----------------------	--------------------------------------

Material Data

Piece Parts

Center contact	Brass
Body	Brass
Coupling nut	Brass
Insulator	PTFE

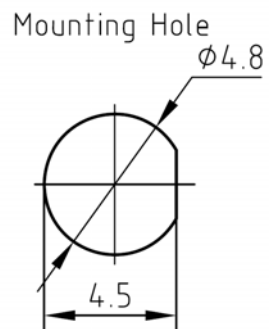
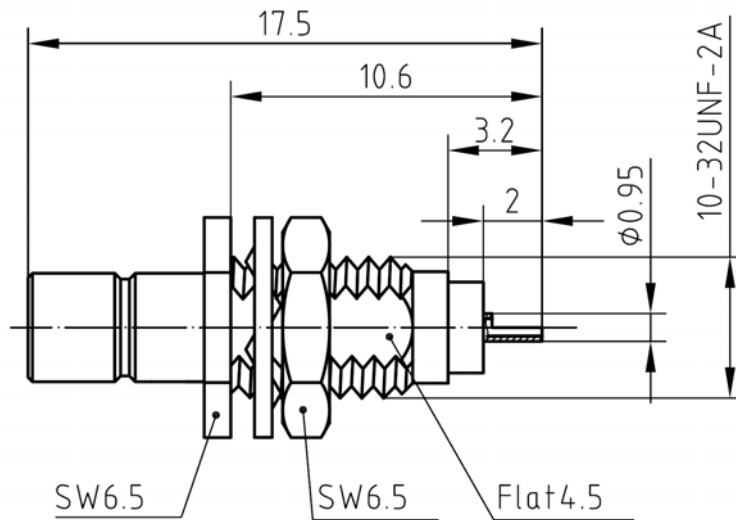
Material

Surface Plating(μ m)

Center contact	Gold 0.5 over Nickel 2.0
Body	Gold 0.2 over Nickel 2.0
Coupling nut	Gold 0.2 over Nickel 2.0

Coaxial Straight Bulkhead Connector: SMB-JYD

Outline drawing



Packaging

Standard

Other

150/Box=15 Bag

Contact us