

Adapter: N-KKG18

Description

Adaptor N jack (female) / N jack (female)

Interface standards

MIL-C-39012

Technical Data

Electrical Data

| | |
|--------------------------|-----------------------------------|
| Impedance | 50 Ω |
| Interface frequency max. | 18 GHz |
| VSWR | 1.12 max |
| Insert loss | $\leq 0.05X \sqrt{f(\text{GHz})}$ |
| RF Leakage | $\leq -100\text{dB}$ |
| Voltage rating | 1000 V(rms) |
| Test voltage | 1500 V(rms) |
| Contact resistance: | |
| Center conductor | $\leq 1 \text{ m}\Omega$ |
| Out conductor | $\leq 0.2 \text{ m}\Omega$ |
| Insulation resistance | $\geq 5000\text{M}\Omega$ |

Mechanical Data

| | |
|------------|----------------|
| Weight | 43 g |
| Durability | 2000min Cycles |

Environmental Data

| | |
|-----------------------|------------------|
| Operating Temperature | -65 °C to 165 °C |
|-----------------------|------------------|

Material Data

Piece Parts

| | |
|----------------|------------------|
| Center contact | Beryllium copper |
| Body | Stainless Steel |
| Insulator | PEI (Ultem) |

Material

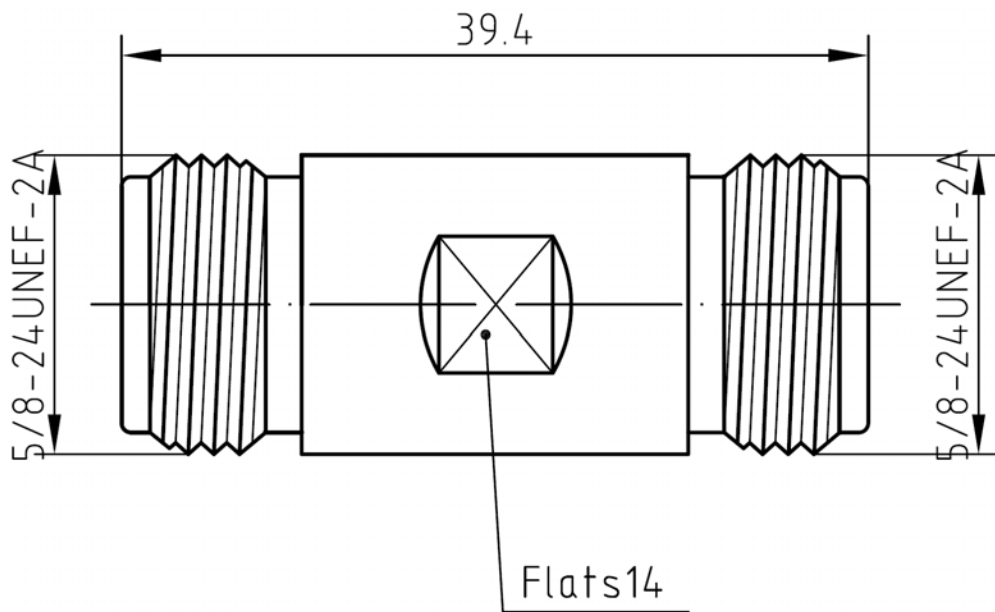
Surface Plating(μm)

Gold 1.27 over Nickel 2.0
Passivated



Adapter: N-KKG18

Outline drawing



Packaging

Standard

Other

50/Box=5 Bag

Contact us