

Coaxial Cable Connector: TNC-KFB2

Description

TNC Straight flange Jack solder type cable .086

Interface standards

MIL-C-39012

Technical Data

Electrical Data

Impedance	50 Ω
Interface frequency max.	11 GHz
VSWR	$1.05+0.03 \times f(\text{GHz})$ max
Voltage rating	500 V(rms)
Test voltage	1000 V(rms)
Contact resistance:	
Center conductor	$\leq 1.5 \text{ m}\Omega$
Out conductor	$\leq 1.0 \text{ m}\Omega$
Insulation resistance	$\geq 5000 \text{ M}\Omega$

Mechanical Data

Weight	11.6 g
Durability	500 Cycles

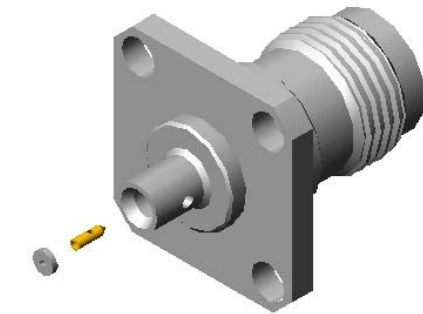
Environmental Data

Operating Temperature	-65 °C to 165 °C
-----------------------	------------------

Material Data

Piece Parts

Center contact	Beryllium copper
Body	Brass
Insulator	PTFE

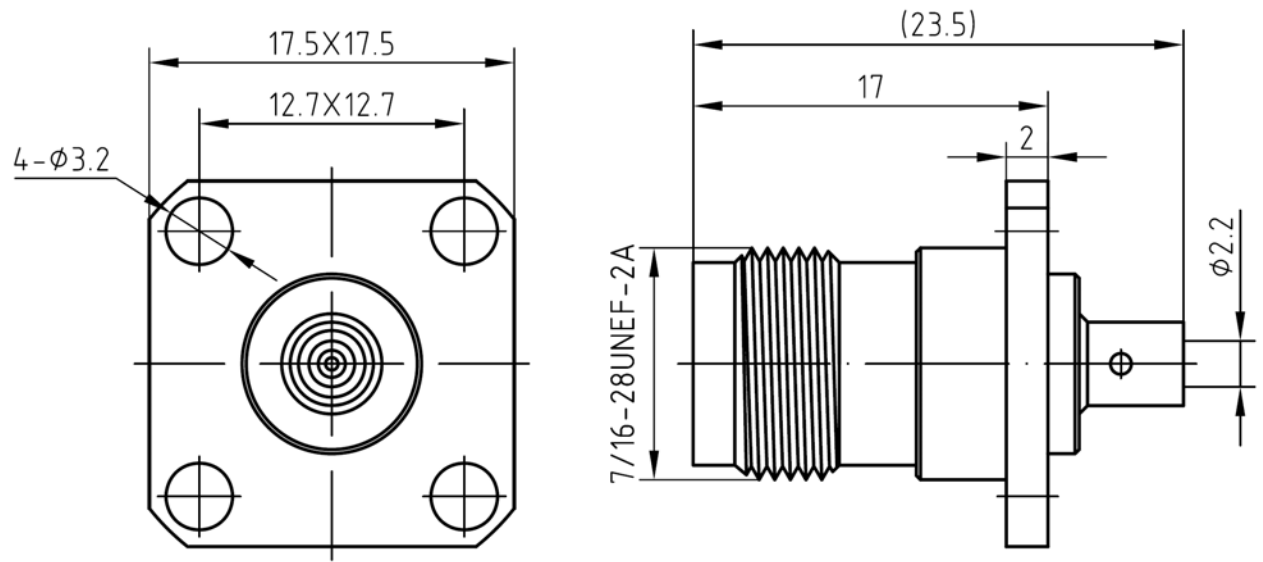


Surface Plating(μm)

Gold 0.5 over Nickel 2.0
Nickel 7.0 over copper 2.0

Coaxial Cable Connector: TNC-KFB2

Outline drawing



Packaging

Standard

50/Box=5 Bag

Other

Contact us