

DRAWING

A

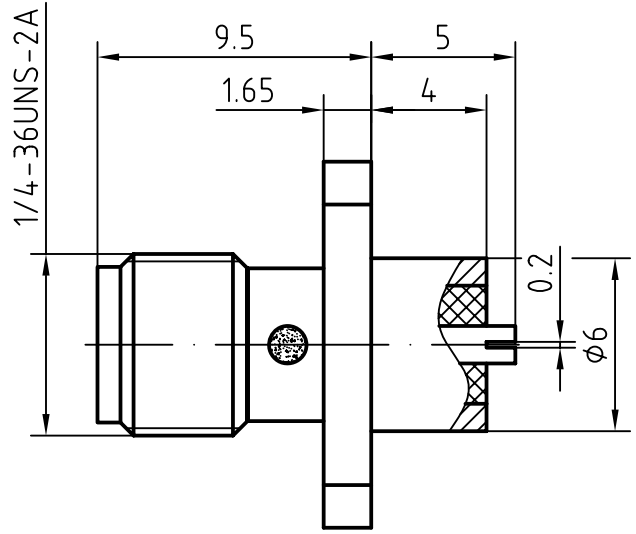
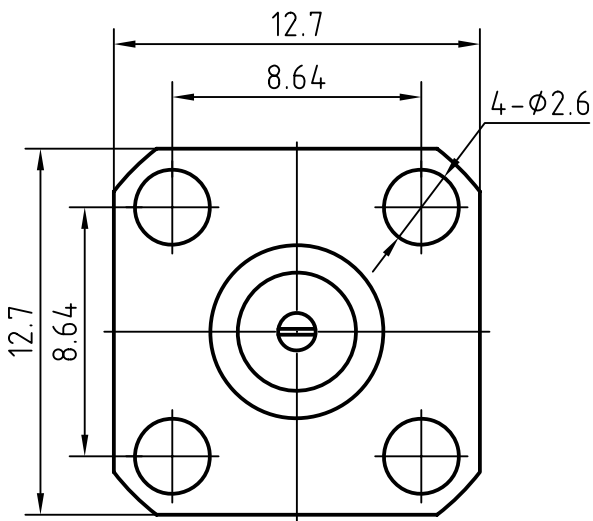
A

B

B

C

C



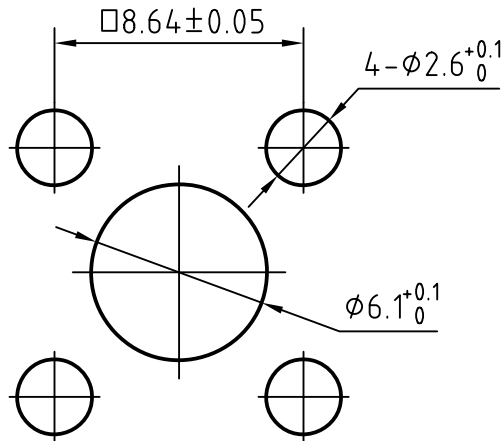
MOUNTING HOLE

D

D

E

E



3	1	Body	Brass/Gold plated	Gold 0.2um over Nickel 2um
2	1	Insulator	PTFE	
1	1	Center contact	Beryllium copper/Gold plated	Gold 0.5um over Nickel 2um

F

F

Designed by Mingang Han	Checked by Jinlong Gu	Approved by - date Hongyu Du	File name SMA-KFDA4010A	Date 15.11.24	Scale 5 : 1
Amitron Electronics, Ltd.			SMA-KFDA4010A		
			http://www.amel.ru	Edition 1.0	Sheet 1/1

1

4

