

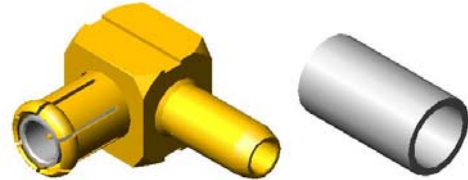
## Coaxial Right Angle Connector: MCX-JW2.5D

### Description

MCX Right angle plug for Flexible cable RG316DT

### Interface standards

MIL-C-39012



### Technical Data

#### Electrical Data

Impedance	50 $\Omega$
Interface frequency max.	6 GHz
VSWR	1.10+0.05 $\times$ f(GHz) max
Voltage rating	335 V(rms)
Test voltage	750 V(rms)
Contact resistance:	
Center conductor	$\leq$ 5 m $\Omega$
Out conductor	$\leq$ 2.5 m $\Omega$
Insulation resistance	$\geq$ 1000M $\Omega$

#### Mechanical Data

Weight	1.3 g
Durability	500 Cycles

#### Environmental Data

Operating Temperature	-65 $^{\circ}$ C to 165 $^{\circ}$ C
-----------------------	--------------------------------------

#### Material Data

##### Piece Parts

Center contact  
Spring contacts  
Body  
Crimp ferrules  
Insulator

##### Material

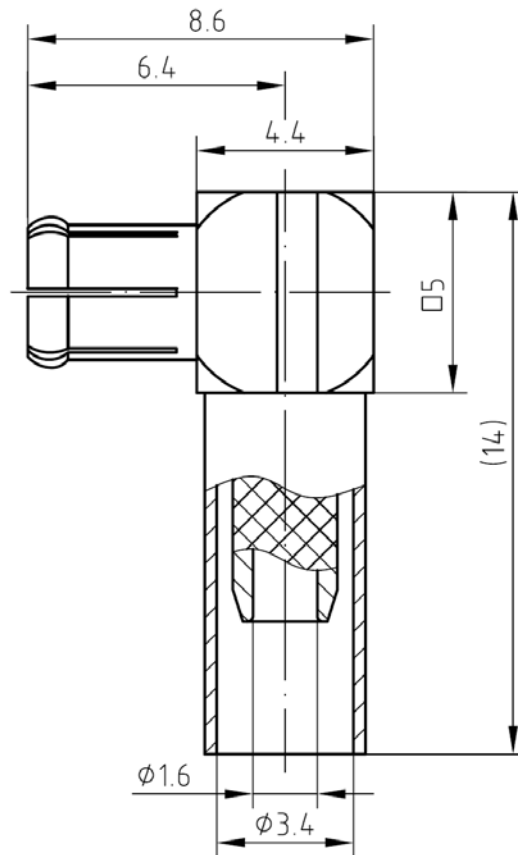
Brass  
Beryllium copper  
Brass  
Copper alloy  
PTFE

##### Surface Plating( $\mu$ m)

Gold 0.5 over Nickel 2.0  
Gold 0.5 over Nickel 2.0  
Gold 0.2 over Nickel 2.0  
Nickel 7.0 over copper 2.0

## Coaxial Right Angle Connector: MCX-JW2.5D

### Outline drawing



### Packaging

Standard

Other

200/Box=20 Bag

Contact us