

Coaxial Straight Flange Cable Connector: N-KF7

Description

Straight panel jack for flexible cable 7/50S+D, flange mount

Interface standards

MIL-C-39012

Technical Data

Electrical Data

| | |
|--------------------------|--------------------------------|
| Impedance | 50 Ω |
| Interface frequency max. | 8 GHz |
| VSWR | $1.05+0.06 \times f$ (GHz) max |
| Voltage rating | 1000 V(rms) |
| Test voltage | 1500 V(rms) |
| Contact resistance: | |
| Center conductor | $\leq 1.0\text{m} \Omega$ |
| Out conductor | $\leq 0.2\text{m} \Omega$ |
| Insulation resistance | $\geq 5000\text{M} \Omega$ |

Mechanical Data

| | |
|------------|------------|
| Weight | 50 g |
| Durability | 500 Cycles |

Environmental Data

| | |
|-----------------------|------------------|
| Operating Temperature | -65 °C to 165 °C |
|-----------------------|------------------|

Material Data

Piece Parts

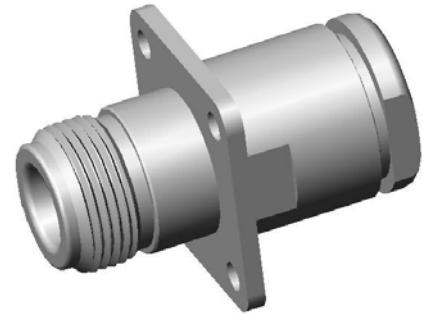
| |
|----------------|
| Center contact |
| Body |
| Insulator |
| Other pieces |

Material

| |
|-----------------|
| Phosphor bronze |
| Brass |
| PTFE |
| Brass |

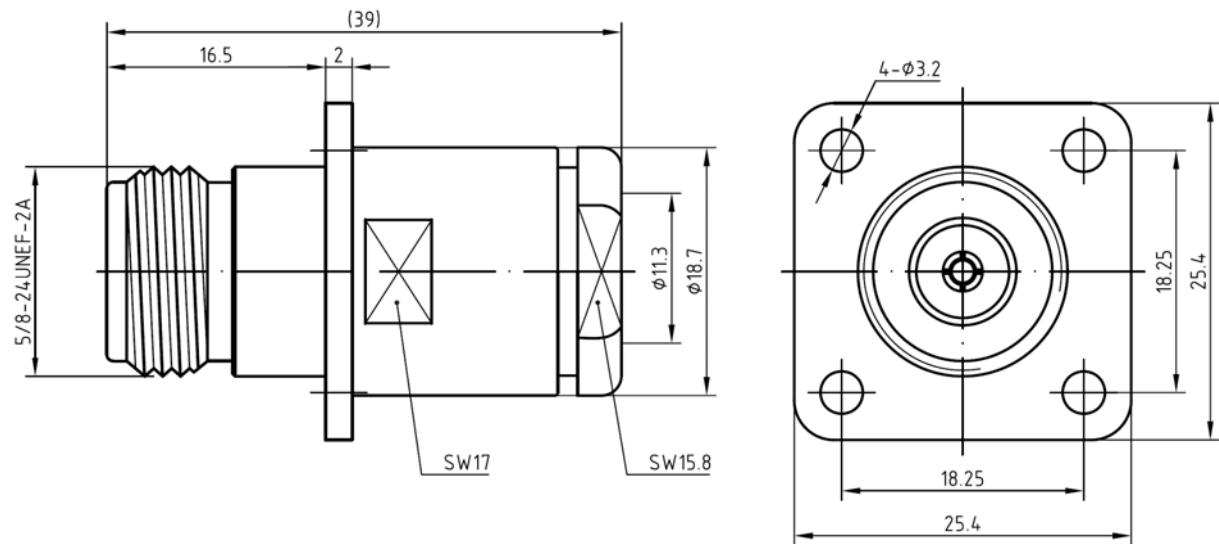
Surface Plating(μm)

| |
|----------------------------|
| Gold 0.3 over Nickel 2.0 |
| Nickel 7.0 over copper 2.0 |
| Nickel 7.0 over copper 2.0 |



Coaxial Straight Flange Cable Connector: N-KF7

Outline drawing



Packaging

Standard

20/Box=4 Bag

Other

Contact us