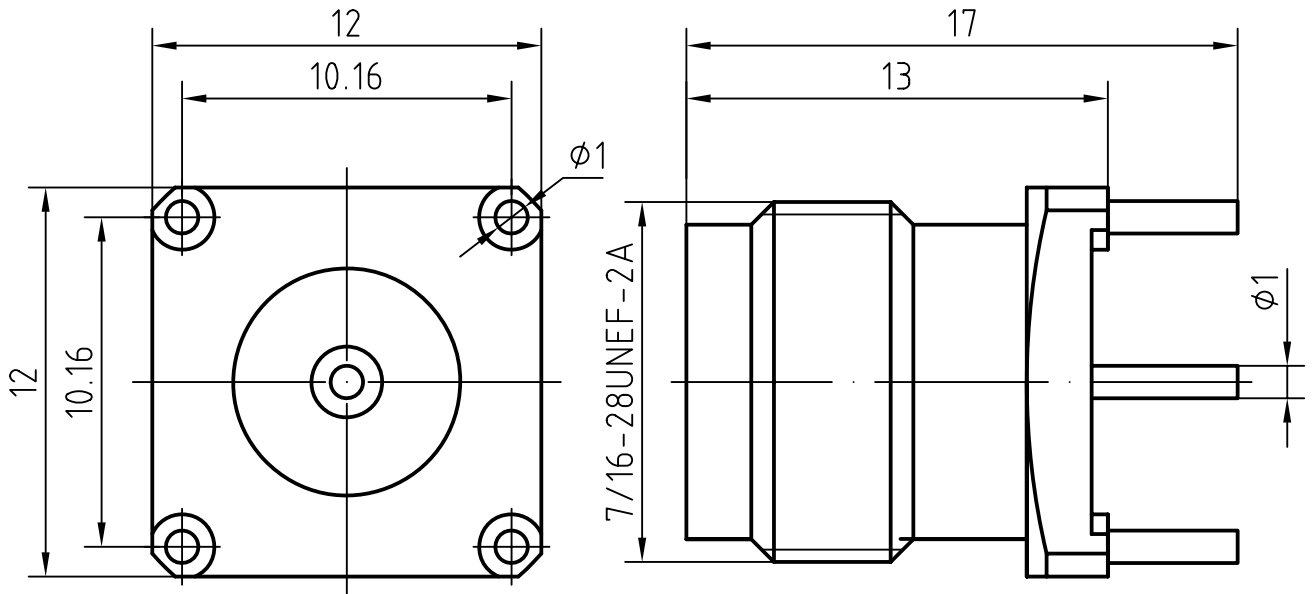
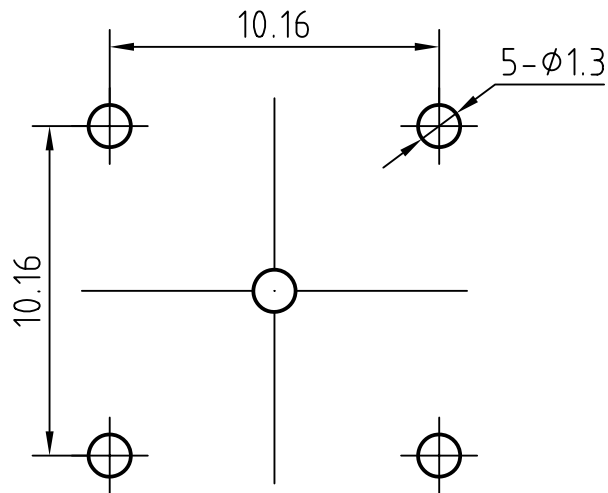


DRAWING



MOUNTING HOLE



3	1	Body	Brass/Nickel plated	Nickel 5um over Copper 2um
2	1	Insulator	PTFE	
1	1	Centor contact	Phosphor bronze/Gold plated	Gold 0.2um over Nickel 2um
Itemref	Quantity	Title/Name, designation, material, dimension etc		Article No./Reference

Designed by Mingang Han	Checked by Jinlong GU	Approved by - date Hongyu Du	File name TNC-KHD	Date 08.12.20	Scale 5 : 1
----------------------------	--------------------------	---------------------------------	----------------------	------------------	----------------

Amitron Electronics, Ltd.

TNC-KHD

<http://www.amel.ru>

Edition  
1.0

Sheet  
1/1

## CHARACTERISTICS

DESCRIPTION: TNC Type female connector for PCB

### Electrical data:

*Impedance:* 50 ohm  
*Frequency range:* DC to 6 GHz  
*VSWR:*  $\leq 1.3:1$   
*Insertion loss:*  $\leq 0.2 \times \sqrt{f[\text{GHz}]} \text{ dB}$   
*Insulation resistance:*  $\geq 5000\text{M}\Omega$   
*Test voltage:* 1500 V rms  
*Working voltage:* 500 V rms

### *Contact resistance:*

- 1). Centre contact: 1.5 m $\Omega$
- 2). Outer conductor: 1.0 m $\Omega$

### Environmental data:

*Temperature rating:* -65 ° C to +165 ° C  
*2002/95/EC (RoHS)* Compliant

### Mechanical data:

*Mating cycles:*  $\geq 500$   
*Center contact captivation:*  $\geq 15 \text{ N(axial)}$   
*Coupling test torque:*  $\leq 1.7 \text{ Nm}$   
*Recommended torque:* 0.46 Nm to 0.69 Nm

### Suitable cables:

N/A