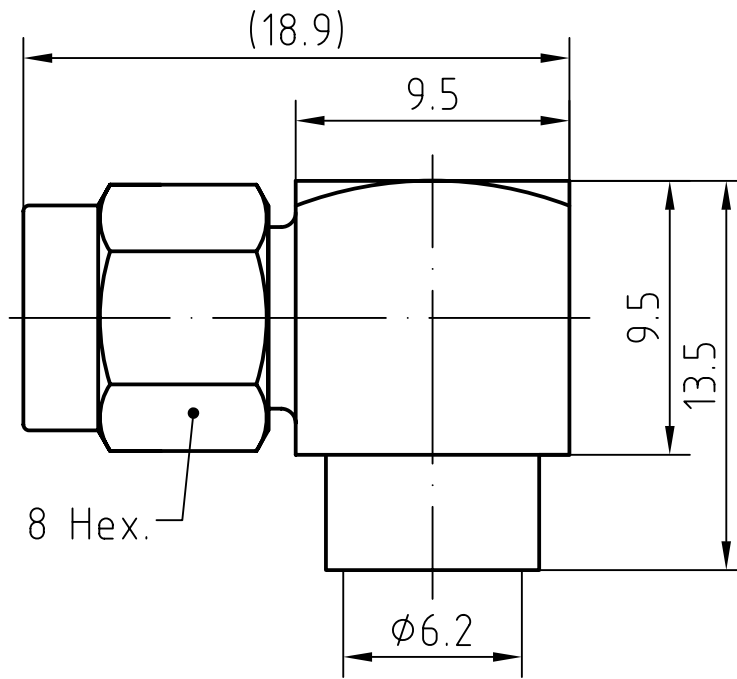
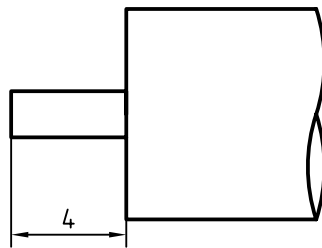


DRAWING



CABLE(UT 250, RG401)



6	1	O ring	Silicone rubber
5	1	Spring	Beryllium copper/Nickel plated
4	1	Coupling nut	Brass/Gold plated
3	1	Center contact	Beryllium copper/Gold plated
2	1	Insulator	PTFE
1	1	Body	Brass/Gold plated

Designed by Mingang Han	Checked by Jinlong Gu	Approved by - date Hongyu Du	File name SMA-JWB6	Date 11.04.28	Scale 4 : 1
----------------------------	--------------------------	---------------------------------	-----------------------	------------------	----------------

Amitron Electronics, Ltd.	SMA-JWB6	
	<a href="http://www.amel.ru">http://www.amel.ru</a>	Edition 1.0 Sheet 1/1

## CHARACTERISTICS

DESCRIPTION: SMA Type male R/A connector

### Electrical data:

Impedance:	50 ohm
Frequency range:	DC to 18 GHz
VSWR:	$\leq 1.06 + 0.005 \times f$ [GHz], DC to 8 GHz
Insertion loss:	$\leq 0.06 \times \sqrt{f}$ [GHz] dB
Insulation resistance:	$\geq 5000\text{M}\Omega$
Test voltage:	1000 V rms
Working voltage:	480 V rms
Contact resistance:	
1). Centre contact:	3.0 m $\Omega$
2). Outer conductor:	2.0 m $\Omega$
Power handling (at 20 °C, sea level, VSWR 1.0)	$\leq 200$ W @ 2 GHz;
RF-leakage	$\geq 100$ dB up to 1 GHz

- Limitations are possible due to the used cable type -

### Environmental data:

Temperature rating:	-65 °C to 165 °C
2002/95/EC (RoHS):	Compliant

### Mechanical data:

Mating cycles:	$\geq 500$
Coupling nut retention	$\geq 270$ N
Coupling test torque:	$\leq 1.7$ Nm
Recommended torque:	0.8 Nm to 1.1 Nm

### Suitable cables:

UT 250, RG401