

Coaxial Straight Flange Cable Connector: N-KF5

Description

Straight panel jack for flexible cable 5/50S+D , flange mount

Interface standards

MIL-C-39012

Technical Data

Electrical Data

Impedance	50 Ω
Interface frequency max.	8 GHz
VSWR	$1.05+0.06 \times f$ (GHz) max
Voltage rating	1000 V(rms)
Test voltage	1500 V(rms)
Contact resistance:	
Center conductor	$\leq 1.0\text{m} \Omega$
Out conductor	$\leq 0.2\text{m} \Omega$
Insulation resistance	$\geq 5000\text{M} \Omega$

Mechanical Data

Weight	46 g
Durability	500 Cycles

Environmental Data

Operating Temperature	-65 °C to 165 °C
-----------------------	------------------

Material Data

Piece Parts

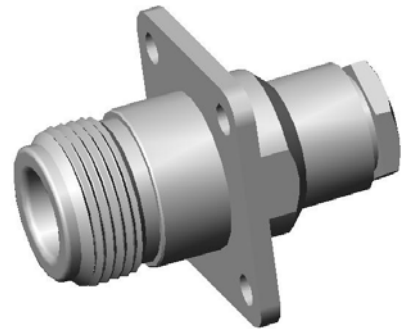
Center contact
Body
Insulator
Other pieces

Material

Phosphor bronze
Brass
PTFE
Brass

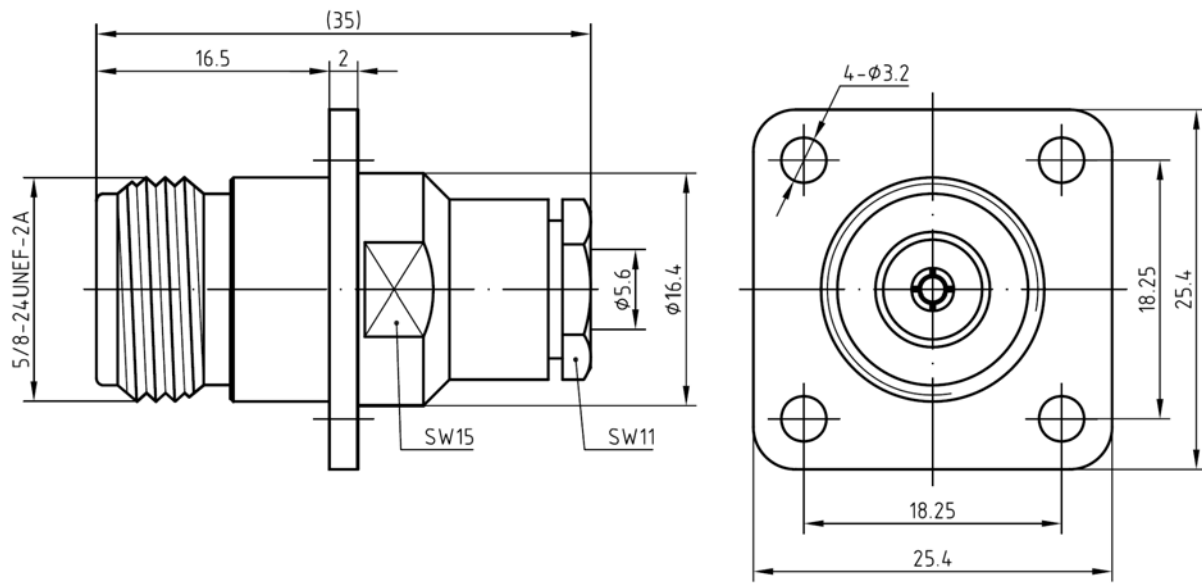
Surface Plating(μm)

Gold 0.3 over Nickel 2.0
Nickel 7.0 over copper 2.0
Nickel 7.0 over copper 2.0



Coaxial Straight Flange Cable Connector: N-KF5

Outline drawing



Packaging

Standard

20/Box=4 Bag

Other

Contact us