

# Coaxial Straight Flange Connector: SMB-JFD1

## Description

Straight panel receptacle jack (male), flange mount

## Interface standards

MIL-C-39012

## Technical Data

### Electrical Data

Impedance	50 $\Omega$
Interface frequency max.	4 GHz
VSWR	1.05+0.03 $\times$ f(GHz) max
Voltage rating	250 V(rms)
Test voltage	750 V(rms)
Contact resistance:	
Center conductor	$\leq$ 6m $\Omega$
Out conductor	$\leq$ 1.5m $\Omega$
Insulation resistance	$\geq$ 1000M $\Omega$

### Mechanical Data

Weight	2.8 g
Durability	500 Cycles

### Environmental Data

Operating Temperature	-65 $^{\circ}$ C to 165 $^{\circ}$ C
-----------------------	--------------------------------------

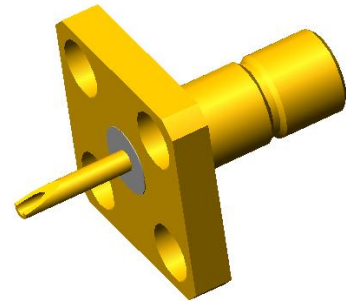
### Material Data

#### Piece Parts

Piece Parts	Material
Body	Brass
Center contact	Brass
Insulator	PTFE

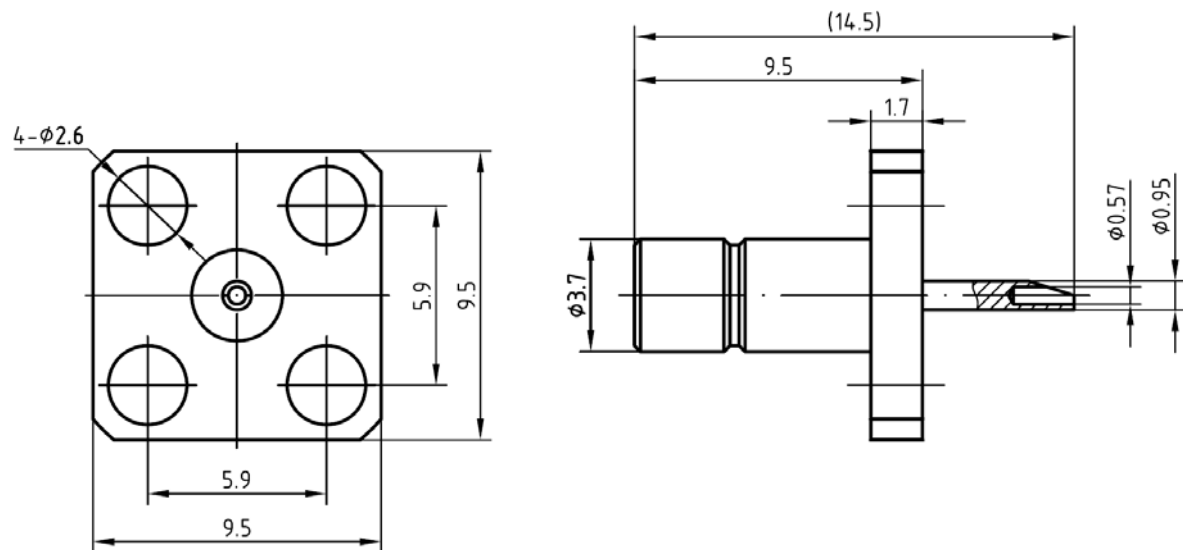
#### Surface Plating( $\mu$ m)

Body	Gold 0.2 over Nickel 2.0
Center contact	Gold 0.5 over Nickel 2.0



## Coaxial Straight Flange Connector: SMB-JFD1

### Outline drawing



### Packaging

Standard

150/Box=15 Bag

Other

Contact us