

# Coaxial Cable Connector: MMCX-JB1

## Description

MMCX Straight plug solder type cable .047

## Interface standards

MIL-C-39012

## Technical Data

### Electrical Data

Impedance	50 $\Omega$
Interface frequency max.	6 GHz
VSWR	1.05+0.05 $\times$ f(GHz) max
Voltage rating	170 V(rms)
Test voltage	500 V(rms)
Contact resistance:	
Center conductor	$\leq 10$ m $\Omega$
Out conductor	$\leq 5$ m $\Omega$
Insulation resistance	$\geq 5000$ M $\Omega$

### Mechanical Data

Weight	0.7 g
Durability	500 Cycles

### Environmental Data

Operating Temperature	-65 $^{\circ}$ C to 165 $^{\circ}$ C
-----------------------	--------------------------------------

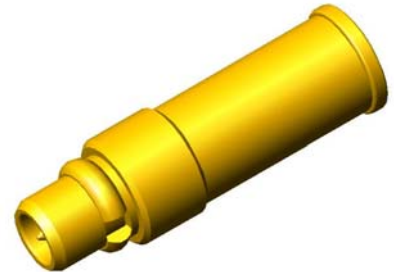
### Material Data

#### Piece Parts

Piece Parts	Material
Body	Brass
Center contact	Beryllium copper
Insulator	PTFE

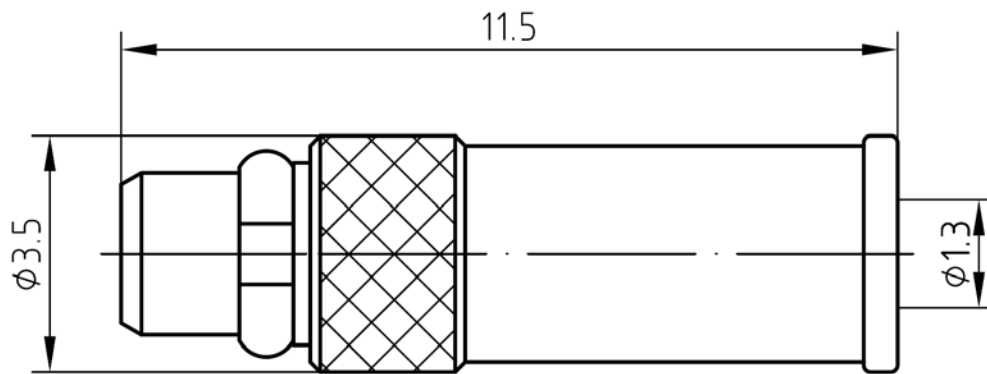
#### Surface Plating( $\mu$ m)

Body	Gold 0.2 over Nickel 2.0
Center contact	Gold 0.5 over Nickel 2.0



## Coaxial Cable Connector: MMCX-JB1

### Outline drawing



### Packaging

Standard

200/Box=20 Bag

Other

Contact us