

Coaxial Cable Connector: SMA-JB3G

Description

SMA Straight cable plug solder type cable .141

Interface standards

MIL-C-39012

Technical Data

Electrical Data

Impedance	50 Ω
Interface frequency max.	18 GHz
VSWR	$1.03+0.015 \times f(\text{GHz})$ max
Voltage rating	500 V(rms)
Test voltage	1000 V(rms)
Contact resistance:	
Center conductor	$\leq 3\text{m} \Omega$
Out conductor	$\leq 2\text{m} \Omega$
Insulation resistance	$\geq 5000\text{M} \Omega$

Mechanical Data

Weight	2.2 g
Durability	500 Cycles

Environmental Data

Operating Temperature	-65 °C to 165 °C
-----------------------	------------------

Material Data

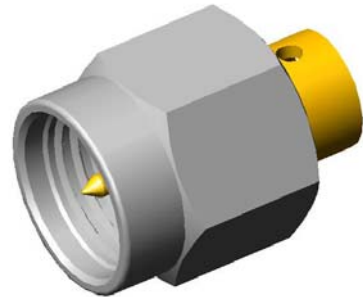
Piece Parts

Center contact	Brass
Body	Brass
Coupling nut	Stainless steel
Gasket	Silicone Rubber
Insulator	PTFE

Material

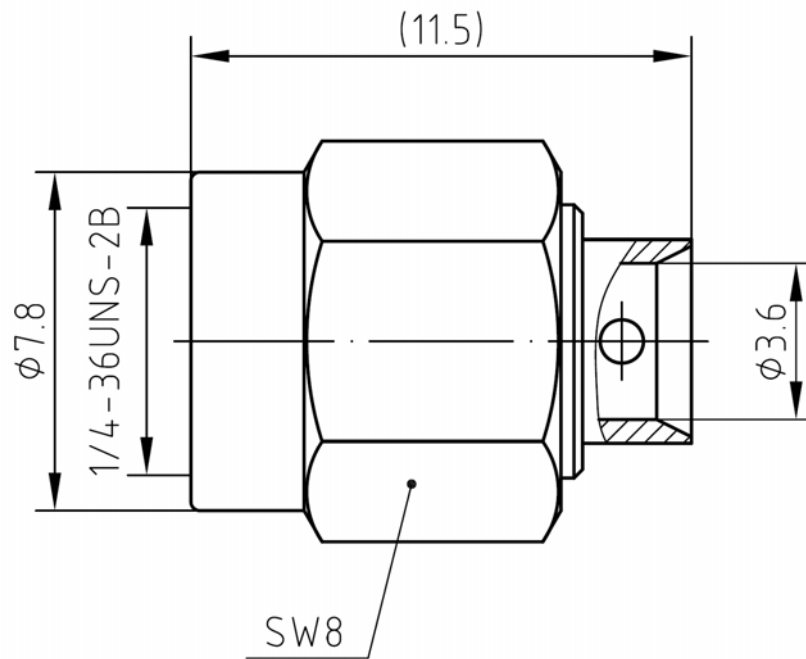
Surface Plating(μm)

Gold 0.5 over Nickel 2.0
Gold 0.2 over Nickel 2.0
Passivated



Coaxial Cable Connector: SMA-JB3G

Outline drawing



Packaging

Standard

200/Box=20 Bag

Other

Contact us