

Coaxial Cable Connector: N-J5DY

Description

Straight plug for flexible cable 5/50D

Interface standards

MIL-C-39012

Technical Data

Electrical Data

Impedance	50 Ω
Interface frequency max.	8 GHz
VSWR	$1.05+0.06 \times f$ (GHz) max
Voltage rating	1000 V(rms)
Test voltage	1500 V(rms)
Contact resistance:	
Center conductor	$\leq 1.0\text{m } \Omega$
Out conductor	$\leq 0.2\text{m } \Omega$
Insulation resistance	$\geq 5000\text{M } \Omega$

Mechanical Data

Weight	26 g
Durability	500 Cycles

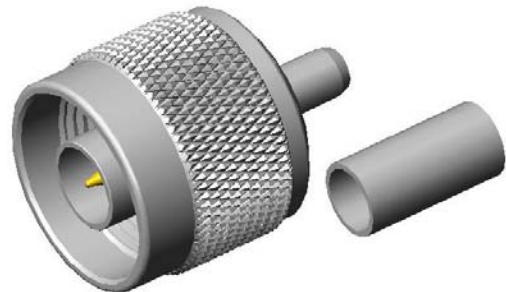
Environmental Data

Operating Temperature	-65 °C to 165 °C
-----------------------	------------------

Material Data

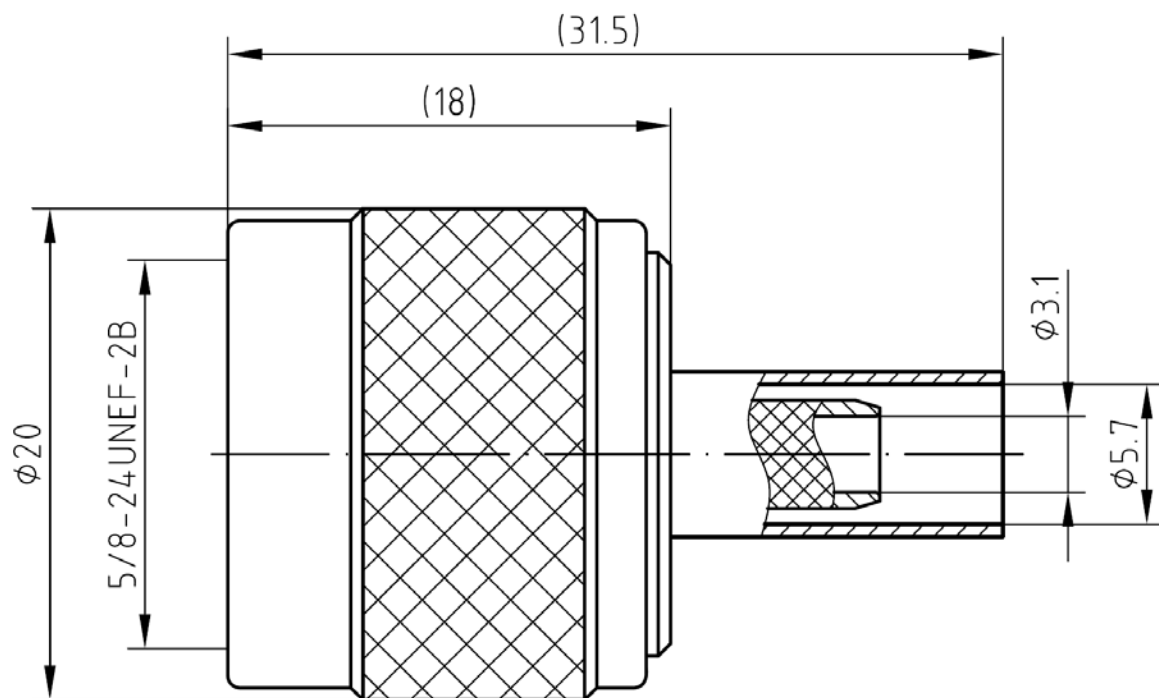
Piece Parts

Piece Parts	Material	Surface Plating(μm)
Center contact	Brass	Gold 0.3 over Nickel 2.0
Body	Brass	Nickel 7.0 over copper 2.0
Gasket	Silicone Rubber	
Insulator	PTFE	
Other pieces	Brass	Nickel 7.0 over copper 2.0



Coaxial Cable Connector: N-J5DY

Outline drawing



Packaging

Standard

Other

40/Box=4 Bag

Contact us