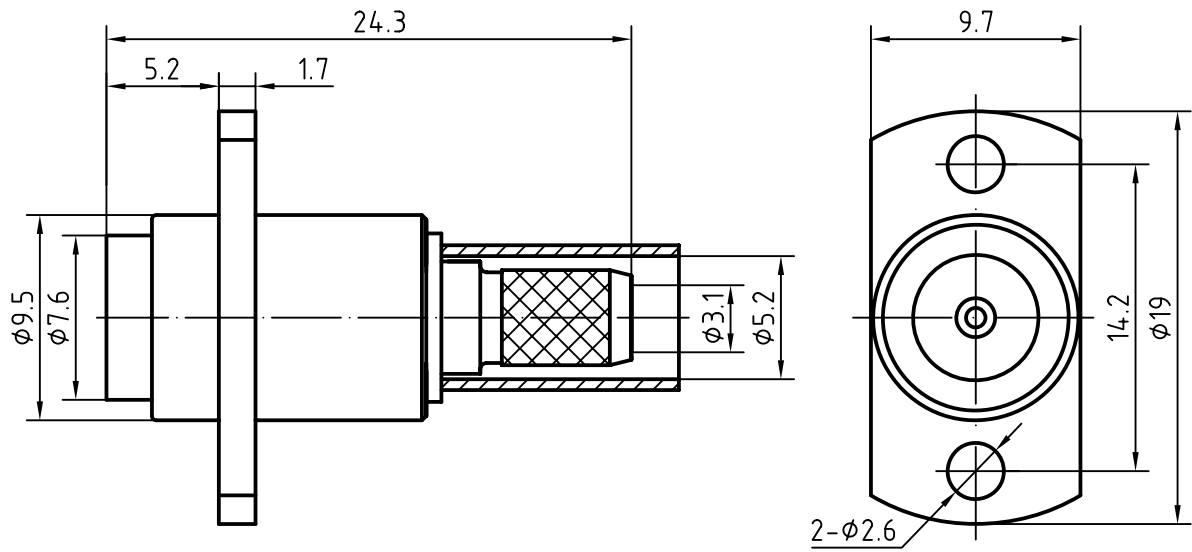
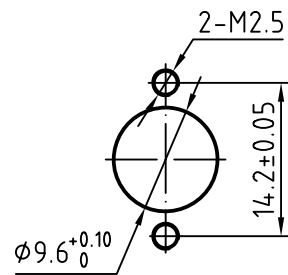
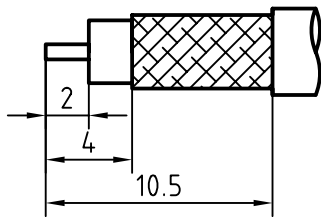


DRAWING



CABLE(RG142B/U, RG223/U, RG400/U)

MOUNTING HOLE



4	1	Insulator	PTFE	
3	1	Body	Brass/Nickel plated	Gold 0.2um over Nickel 2um
2	1	Outer contact	Brass/Gold plated	Gold 0.2um over Nickel 2um
1	1	Center contact	Beryllium coper/Gold plated	Gold 0.5um over Nickel 2um

Designed by Mingang Han	Checked by Jinlong Gu	Approved by - date Hongyu Du	File name BMA-KF5Y	Date 11.02.24	Scale 3 : 1
----------------------------	--------------------------	---------------------------------	-----------------------	------------------	----------------

Amitron Electronics, Ltd.

BMA-KF5Y

<http://www.amel.ru>

Edition
1.0

Sheet
1/1

CHARACTERISTICS

DESCRIPTION:

BMA Type female FL connector

Electrical data:

<i>Impedance:</i>	<i>50 ohm</i>
<i>Frequency range:</i>	<i>DC to 6GHz</i>
<i>VSWR:</i>	$\leq 1.08 + 0.03Xf[\text{GHz}]$
<i>Insertion loss:</i>	$\leq 0.08X\sqrt{f[\text{GHz}]} \text{ dB}$
<i>Insulation resistance:</i>	$\geq 5000M\Omega$
<i>Test voltage:</i>	<i>375 V/50Hz For RG58</i>
<i>Contact resistance:</i>	
1). <i>Centre contact:</i>	<i>3.0 mΩ</i>
2). <i>Outer conductor:</i>	<i>2.0 mΩ</i>

Environmental data:

<i>Temperature rating:</i>	<i>-55 ° C to +125 ° C</i>
<i>2002/95/EC (RoHS):</i>	<i>Compliant</i>

Mechanical data:

<i>Mating cycles:</i>	≥ 500
-----------------------	------------

Suitable cables:

RG58/U, RG303/U