

Coaxial Cable Connector: SSMB-KW3

Description

SSMB Right angle cable plug for Flexible cable 2.5/3/50S

Interface standards

MIL-C-39012

Technical Data

Electrical Data

Impedance	50 Ω
Interface frequency max.	3 GHz
VSWR	1.08+0.08 \times f(GHz) max
Voltage rating	170 V(rms)
Test voltage	500 V(rms)
Contact resistance:	
Center conductor	\leq 5m Ω
Out conductor	\leq 2.5m Ω
Insulation resistance	\geq 1000M Ω

Mechanical Data

Weight	2.9 g
Durability	500 Cycles

Environmental Data

Operating Temperature	-65 $^{\circ}$ C to 165 $^{\circ}$ C
-----------------------	--------------------------------------

Material Data

Piece Parts

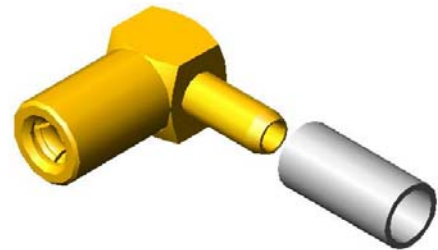
Center contact
Body
Crimp ferrules
Insulator

Material

Beryllium copper
Brass
Brass
PTFE

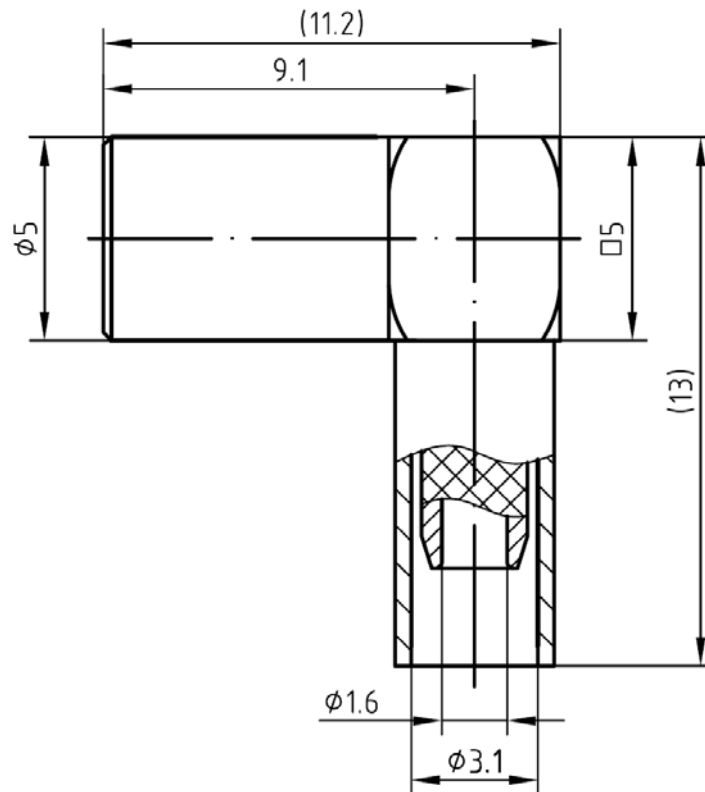
Surface Plating(μ m)

Gold 0.5 over Nickel 2.0
Gold 0.2 over Nickel 2.0
Nickel 7.0 over copper 2.0



Coaxial Cable Connector: SSMB-KW3

Outline drawing



Packaging

Standard

150/Box=15 Bag

Other

Contact us