

## Coaxial Right Angle PCB Connector: SMA-KYWHD2

### Description

Right Angle jack receptacle for PCB solder legs

### Interface standards

MIL-C-39012

### Technical Data

#### Electrical Data

Impedance	50 $\Omega$
Interface frequency max.	6 GHz
VSWR	1.08+0.05 $\times$ f(GHz) max
Voltage rating	500 V(rms)
Test voltage	1000 V(rms)
Contact resistance:	
Center conductor	$\leq 3\text{m } \Omega$
Out conductor	$\leq 2\text{m } \Omega$
Insulation resistance	$\geq 5000\text{M } \Omega$

#### Mechanical Data

Center contact retention	
Axial force – Mating end	27 N min
Axial force – Opposite end	27 N min
Torque	2.8 N.cm min
Weight	4.5 g
Durability	500 Cycles

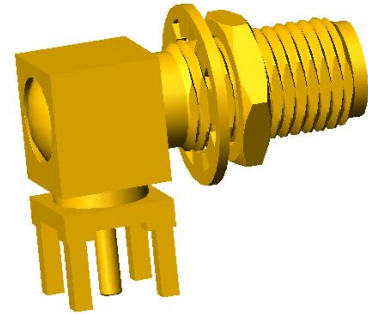
#### Environmental Data

Operating Temperature	-65 $^{\circ}\text{C}$ to 165 $^{\circ}\text{C}$
-----------------------	--

#### Material Data

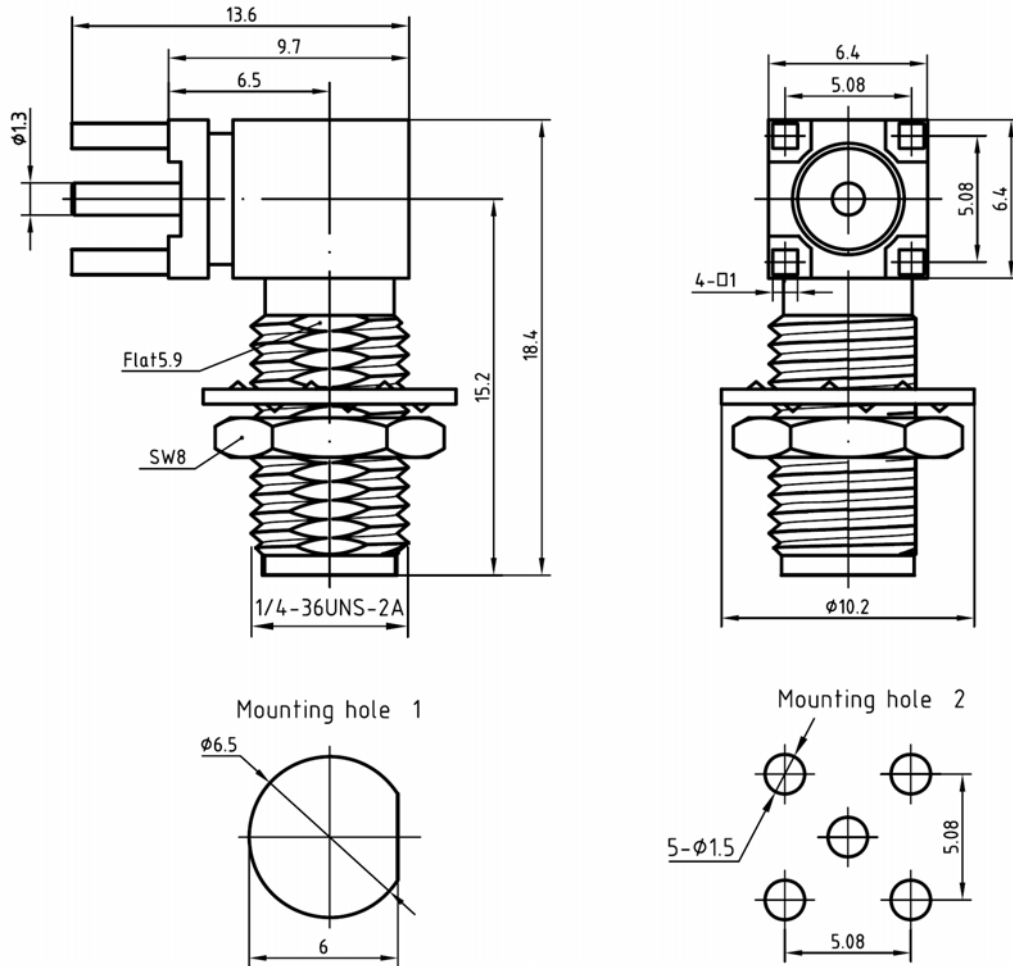
##### Piece Parts

	Material	Surface Plating( $\mu\text{m}$ )
Body	Brass	Gold 0.2 over Nickel 2.0
Center contact	Beryllium copper	Gold 0.5 over Nickel 2.0
Coupling nut	Brass	Gold 0.2 over Nickel 2.0
Insulator	PTFE	



# Coaxial Right Angle PCB Connector: SMA-KYWHD2

## Outline drawing



## Packaging

Standard

150/Box=15 Bag

Other

Contact us