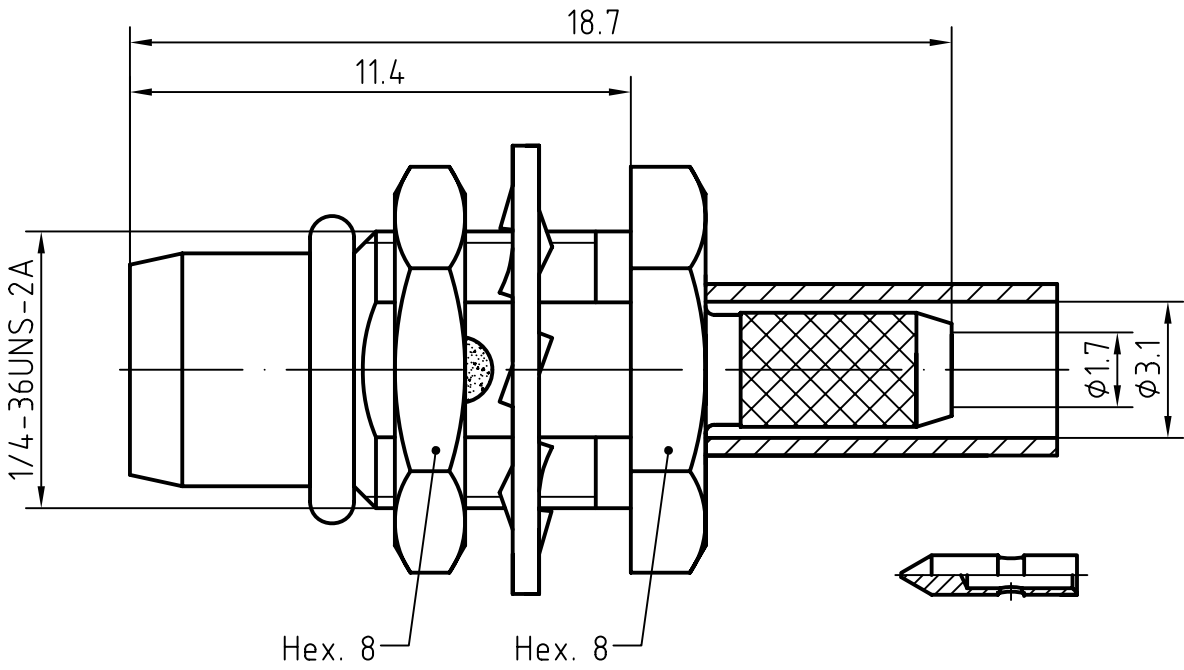
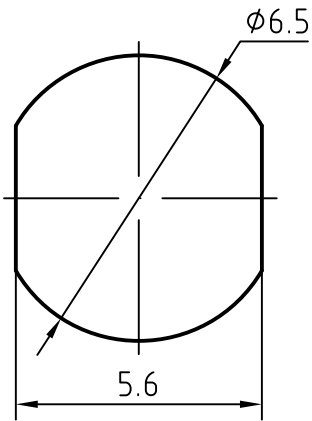


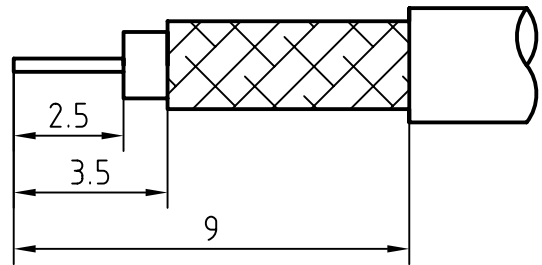
DRAWING



MOUNTING HOLE



CABLE(RG316D)



6	1	O ring	Silicon rubber	
5	1	Gasket	Phosphor bronze/Gold plated	Gold 0.2um over Nickel 2.0um
4	1	Nut	Brass/Gold plated	Gold 0.2um over Nickel 2.0um
3	1	Body	Brass/Gold plated	Gold 0.2um over Nickel 2.0um
2	1	Insulator	PTFE	
1	1	Center contact	Beryllium copper/Gold plated	Gold 0.5um over Nickel 2.0um
Itemref	Quantity	Title/Name, designation, material, dimension etc		Article No./Reference

Designed by Mingang Han	Checked by Jinlong GU	Approved by - date Hongyu Du	File name BMA-JY2.5DY	Date 08.01.20	Scale 5 : 1
----------------------------	--------------------------	---------------------------------	--------------------------	------------------	----------------

Amitron Electronics, Ltd.

BMA-JY2.5DY

<http://www.amel.ru>

Edition  
1.0

Sheet  
1/1

## CHARACTERISTICS

DESCRIPTION: BMA Type male BH connector

### Electrical data:

<i>Impedance:</i>	<i>50 ohm</i>
<i>Frequency range:</i>	<i>DC to 6GHz</i>
<i>VSWR:</i>	<i>1.08 + 0.03Xf(GHz) For RG316D</i>
<i>Insertion loss:</i>	<i><math>\leq 0.08X \sqrt{f[\text{GHz}]} \text{ dB}</math></i>
<i>Insulation resistance:</i>	<i><math>\geq 5000M\Omega</math></i>
<i>Test voltage:</i>	<i>375 V/50Hz For RG316D</i>
<i>Contact resistance:</i>	
1). <i>Centre contact:</i>	<i>3.0 m<math>\Omega</math></i>
2). <i>Outer conductor:</i>	<i>2.0 m<math>\Omega</math></i>

### Environmental data:

<i>Temperature rating:</i>	<i>-55 ° C to +125 ° C</i>
<i>2002/95/EC (RoHS):</i>	<i>Compliant</i>

### Mechanical data:

<i>Mating cycles:</i>	<i><math>\geq 500</math></i>
-----------------------	------------------------------

### Suitable cables:

*RG316D*