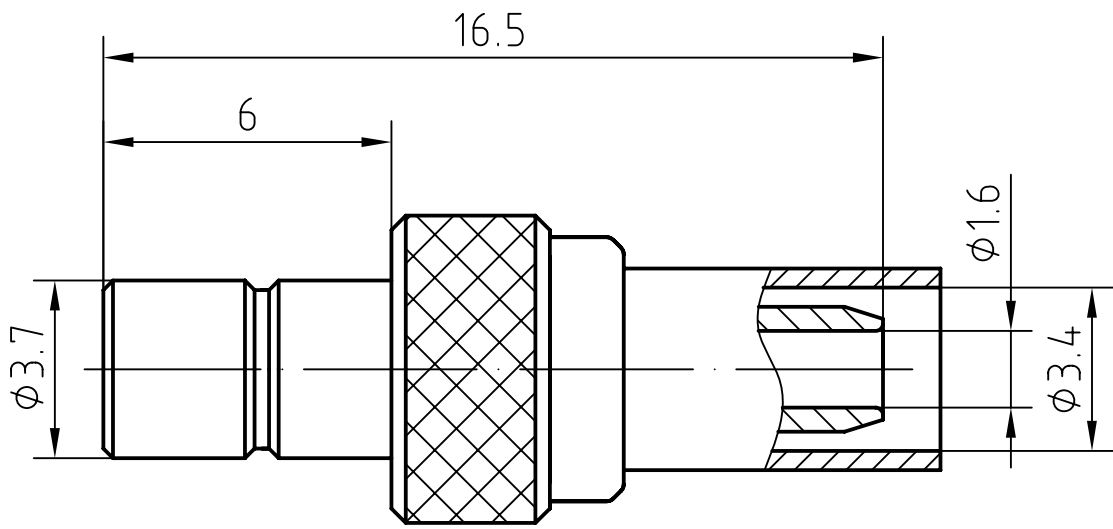
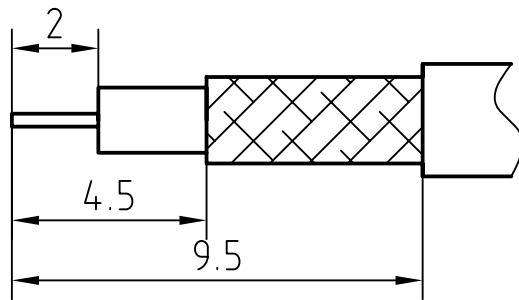


DRAWING



CABLE(RG316D)



3	1	Body	Brass/Gold plated	Gold 0.2um over Nickel 2um
2	1	Insulator	PTFE	
1	1	Center contact	Brass/Gold plated	Gold 0.5um over Nickel 2um
Itemref	Quantity	Title/Name, designation, material, dimension etc		Article No./Reference

Designed by	Checked by	Approved by - date	File name	Date	Scale
-------------	------------	--------------------	-----------	------	-------

Amitron Electronics, Ltd.			SMB-J2.5D		
			http://www.amel.ru	Edition	Sheet

CHARACTERISTICS

DESCRIPTION: SMB Type male str connector

Electrical data:

<i>Impedance:</i>	50 ohm
<i>Frequency range:</i>	DC to 4 GHz
<i>VSWR:</i>	$\leq 1.08 + 0.05 \times f[\text{GHz}]$
<i>Insertion loss:</i>	$\leq 0.18 \times \sqrt{f[\text{GHz}]} \text{ dB}$
<i>Insulation resistance:</i>	$\geq 1000\text{M}\Omega$
<i>Test voltage:</i>	750 V rms
<i>Working voltage:</i>	250 V rms
<i>Contact resistance:</i>	
1). Centre contact:	5.0 m Ω
2). Outer conductor:	2.5 m Ω
<i>RF-leakage :</i>	$\geq 55 \text{ dB up to } 1 \text{ GHz}$

Environmental data:

<i>Temperature rating:</i>	-65 ° C to +165 ° C
<i>2002/95/EC (RoHS):</i>	Compliant

Mechanical data:

<i>Mating cycles:</i>	≥ 500
<i>Center contact captivation:</i>	$\geq 10 \text{ N(axial)}$
<i>Engagement force:</i>	$\leq 63 \text{ N}$
<i>Disengagement force:</i>	8 N min. to 63 N max.

Suitable cables:

RG174A/U, RG188A/U, RG316/U