

# Coaxial Straight Flange Connector: N-KFD28

## Description

Straight panel receptacle jack (female), flange mount

## Interface standards

MIL-C-39012

## Technical Data

### Electrical Data

Impedance	50 $\Omega$
Interface frequency max.	11 GHz
VSWR	$1.05+0.02 \times f$ (GHz) max
Voltage rating	1000 V(rms)
Test voltage	1500 V(rms)
Contact resistance:	
Center conductor	$\leq 1\text{m} \Omega$
Out conductor	$\leq 0.2\text{m} \Omega$
Insulation resistance	$\geq 5000\text{M} \Omega$

### Mechanical Data

Center contact retention	
Axial force – Mating end	27 N mini
Axial force – Opposite end	27 N mini
Torque	2.8 N.cm mini
Weight	35 g
Durability	500 Cycles

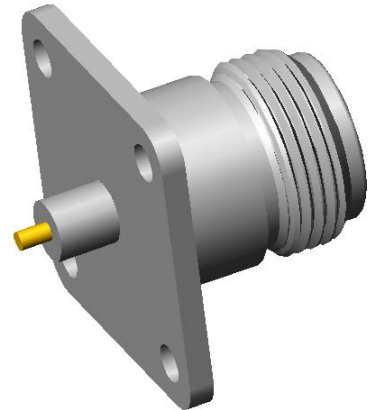
### Environmental Data

Operating Temperature	-65 °C to 165 °C
-----------------------	------------------

### Material Data

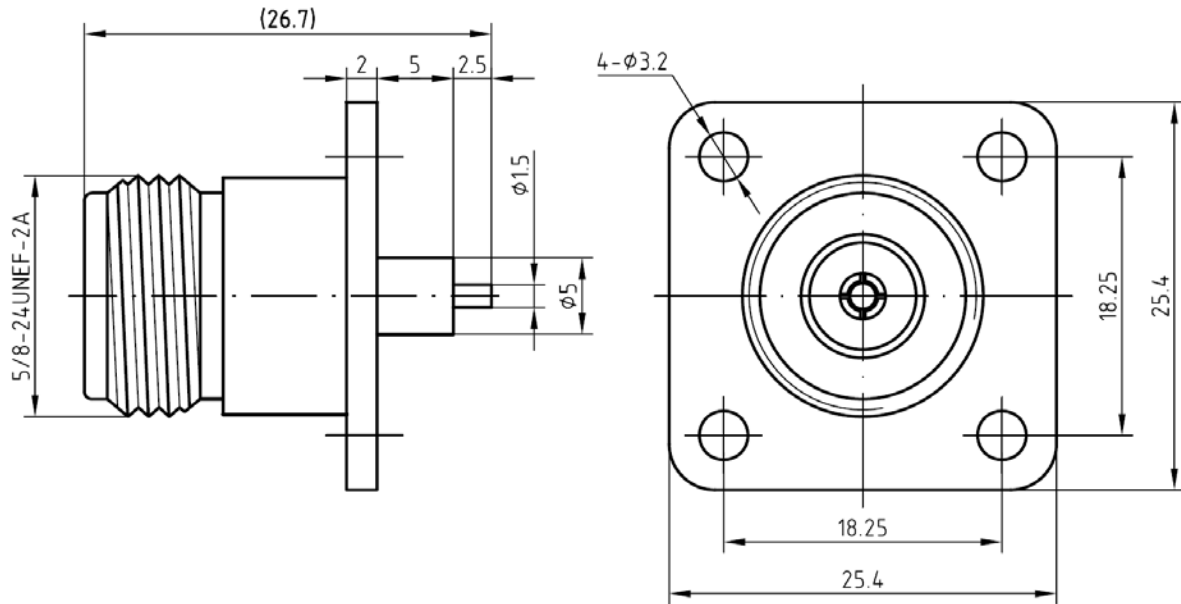
#### Piece Parts

	Material	Surface Plating( $\mu\text{m}$ )
Center contact	Phosphor bronze	Gold 0.3 over Nickel 2.0
Outer contact	Brass	Nickel 7.0 over copper 2.0
Insulator	PTFE	



# Coaxial Straight Flange Connector: N-KFD28

## Outline drawing



## Packaging

Standard

40/Box=4Bag

Other

Contact us