

## Coaxial Straight Flange Cable Connector:

### N - K F 3 Y

#### Description

Straight panel jack for flexible cable 2.5/3/50S, flange mount

#### Interface standards

MIL-C-39012

#### Technical Data

##### Electrical Data

Impedance	50 $\Omega$
Interface frequency max.	8 GHz
VSWR	$1.05+0.06 \times f$ (GHz) max
Voltage rating	1000 V(rms)
Test voltage	1500 V(rms)
Contact resistance:	
Center conductor	$\leq 1.0\text{m} \Omega$
Out conductor	$\leq 0.2\text{m} \Omega$
Insulation resistance	$\geq 5000\text{M} \Omega$

##### Mechanical Data

Weight	43 g
Durability	500 Cycles

##### Environmental Data

Operating Temperature	-65 °C to 165 °C
-----------------------	------------------

##### Material Data

###### Piece Parts

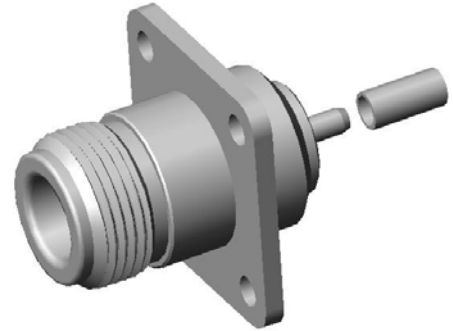
Center contact  
Body  
Insulator  
Other pieces

###### Material

Beryllium copper  
Brass  
PTFE  
Brass

###### Surface Plating( $\mu\text{m}$ )

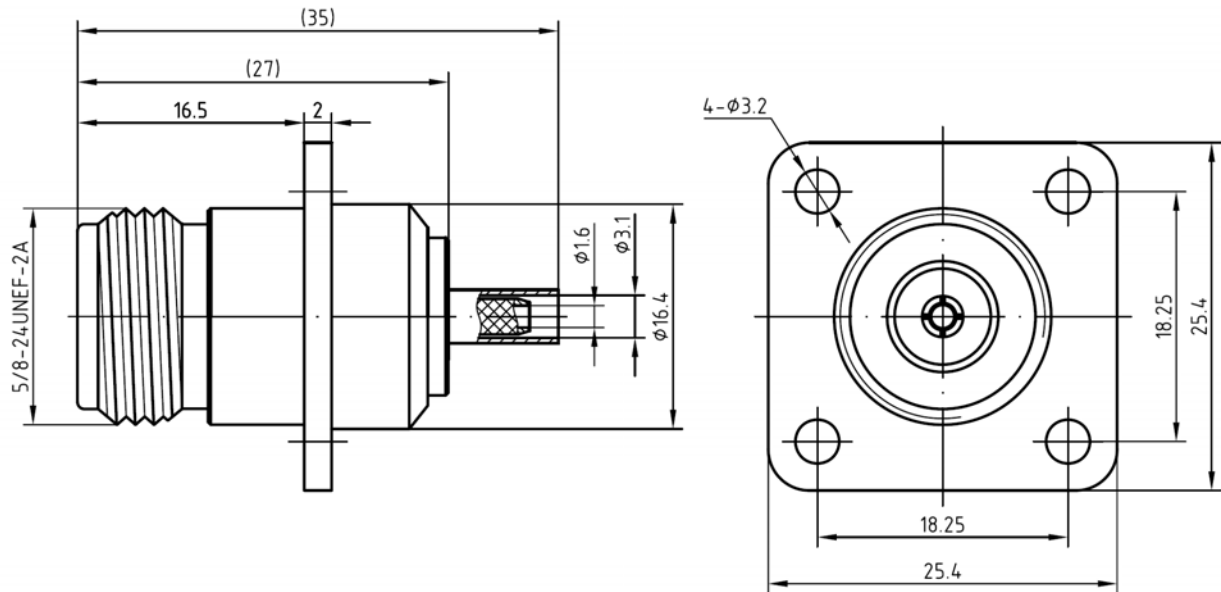
Gold 0.3 over Nickel 2.0  
Nickel 7.0 over copper 2.0  
Nickel 7.0 over copper 2.0



## Coaxial Straight Flange Cable Connector:

### N - K F 3 Y

#### Outline drawing



#### Packaging

Standard

40/Box=4 Bag

Other

Contact us