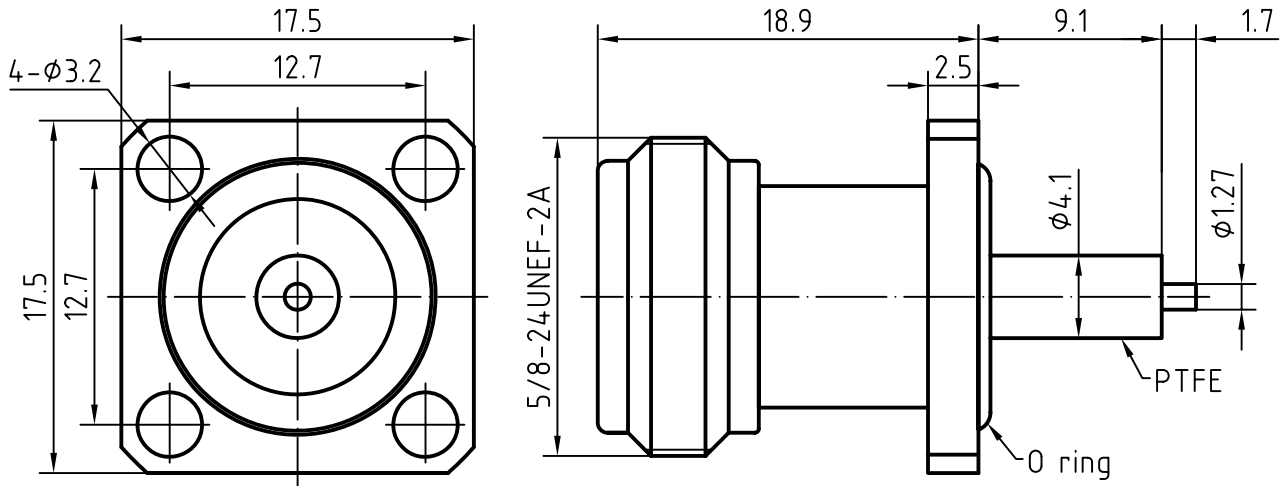
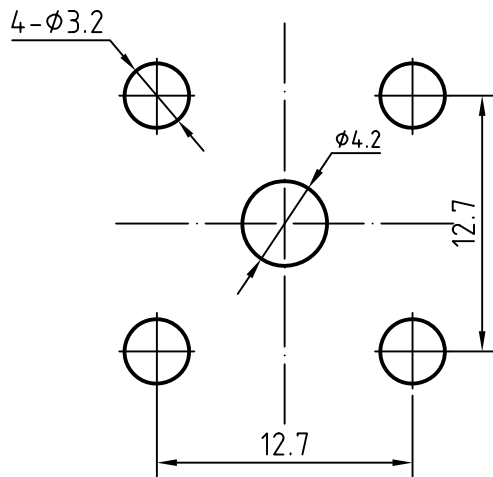


DRAWING



MOUNTING HOLE



4	1	O ring	Silicone rubber	
3	1	Body	Brass/SUCOplated	CuSnZn 2.54um over Copper 1.27um
2	1	Insulator	PTFE	
1	1	Center pin	Phosphor bronze/Gold plated	Gold 0.127um over Nickel 1.27um
Itemref	Quantity	Title/Name, designation, material, dimension etc		Article No./Reference

Designed by Mingang Han	Checked by Jinlong GU	Approved by - date Hongyu Du	File name N-KFDA9117	Date 16.04.09	Scale 3 : 1
----------------------------	--------------------------	---------------------------------	-------------------------	------------------	----------------

Amitron Electronics, Ltd.

N-KFDA9117

<http://www.amel.ru>

Edition
1.0

Sheet
1/1

CHARACTERISTICS

DESCRIPTION: N Type female FL connector

Electrical data:

<i>Impedance:</i>	<i>50 ohm</i>
<i>Frequency range:</i>	<i>DC to 11 GHz</i>
<i>Return loss:</i>	<i>≥35dB, DC-2.5GHz</i> <i>≥30dB, 2.5-4GHz</i> <i>≥20dB, 4-8GHz</i>
<i>Insertion loss:</i>	<i>≤0.25dB, DC-8GHz</i>
<i>Insulation resistance:</i>	<i>≥5000MΩ</i>
<i>Test voltage:</i>	<i>2500 V rms</i>
<i>Working voltage:</i>	<i>1400 V rms</i>
<i>Contact resistance:</i>	
1). <i>Centre contact:</i>	<i>1.0 mΩ</i>
2). <i>Outer conductor:</i>	<i>0.25 mΩ</i>
<i>Power handling (at 20 °C, sea level, VSWR 1.0):</i>	<i>1000 W @ 1 GHz</i> <i>700 W @ 2 GHz</i>

- Limitations are possible due to the used cable type -

Environmental data:

<i>Temperature rating:</i>	<i>-55 ° C to +155 ° C</i>
<i>52/95/EC (RoHS):</i>	<i>Compliant</i>

Mechanical data:

<i>Mating cycles:</i>	<i>≥500</i>
<i>Center contact captivation(axial):</i>	<i>≥ 28 N</i>
<i>Coupling nut retention:</i>	<i>≥ 450 N</i>
<i>Coupling test torque:</i>	<i>≤1.7 Nm</i>
<i>Recommended torque:</i>	<i>0.7 Nm to 1.1 Nm</i>

Suitable cables:

N/A

Amitron Electronics, Ltd.

<http://www.amel.ru>

e-mail: mailbox@amel.ru