

DATA SHEET Coaxial N Series

Adapter: N-JKG18

Description

Adaptor N plug (male) / N jack (female)

Interface standards

MIL-C-39012

Technical Data

Electrical Data

Impedance	50 Ω
Interface frequency max.	18 GHz
VSWR	1.12 max
Insert loss	$\leq 0.05X \sqrt{f(\text{GHz})}$
RF Leakage	$\leq -100\text{dB}$
Voltage rating	1000 V(rms)
Test voltage	1500 V(rms)
Contact resistance:	
Center conductor	$\leq 1 \text{ m}\Omega$
Out conductor	$\leq 0.2 \text{ m}\Omega$
Insulation resistance	$\geq 5000\text{M}\Omega$

Mechanical Data

Weight	54 g
Durability	2000min Cycles

Environmental Data

Operating Temperature	-65 °C to 165 °C
-----------------------	------------------

Material Data

Piece Parts

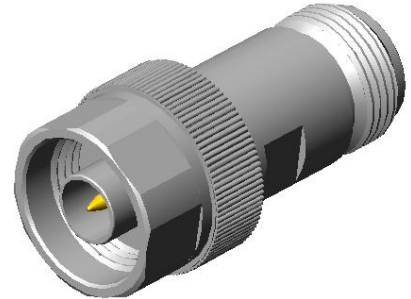
Center contact
Body
Insulator
Coupling nut

Material

Beryllium copper
Stainless Steel
PEI (Ultem)
Stainless Steel

Surface Plating(μm)

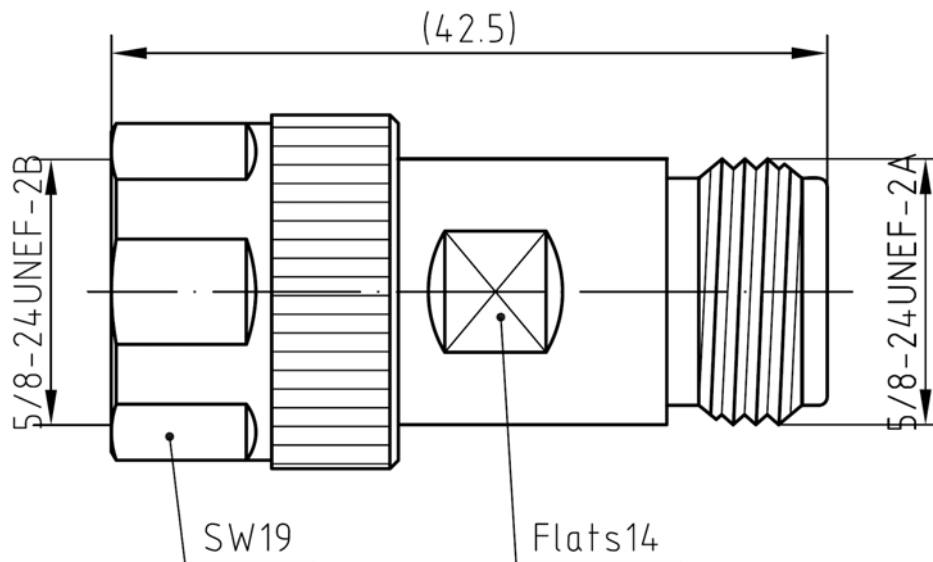
Gold 1.27 over Nickel 2.0
Passivated
Passivated



DATA SHEET

Coaxial N Series Adapter: N-JKG18

Outline drawing



Packaging

Standard

Other

40/Box=4 Bag

Contact us