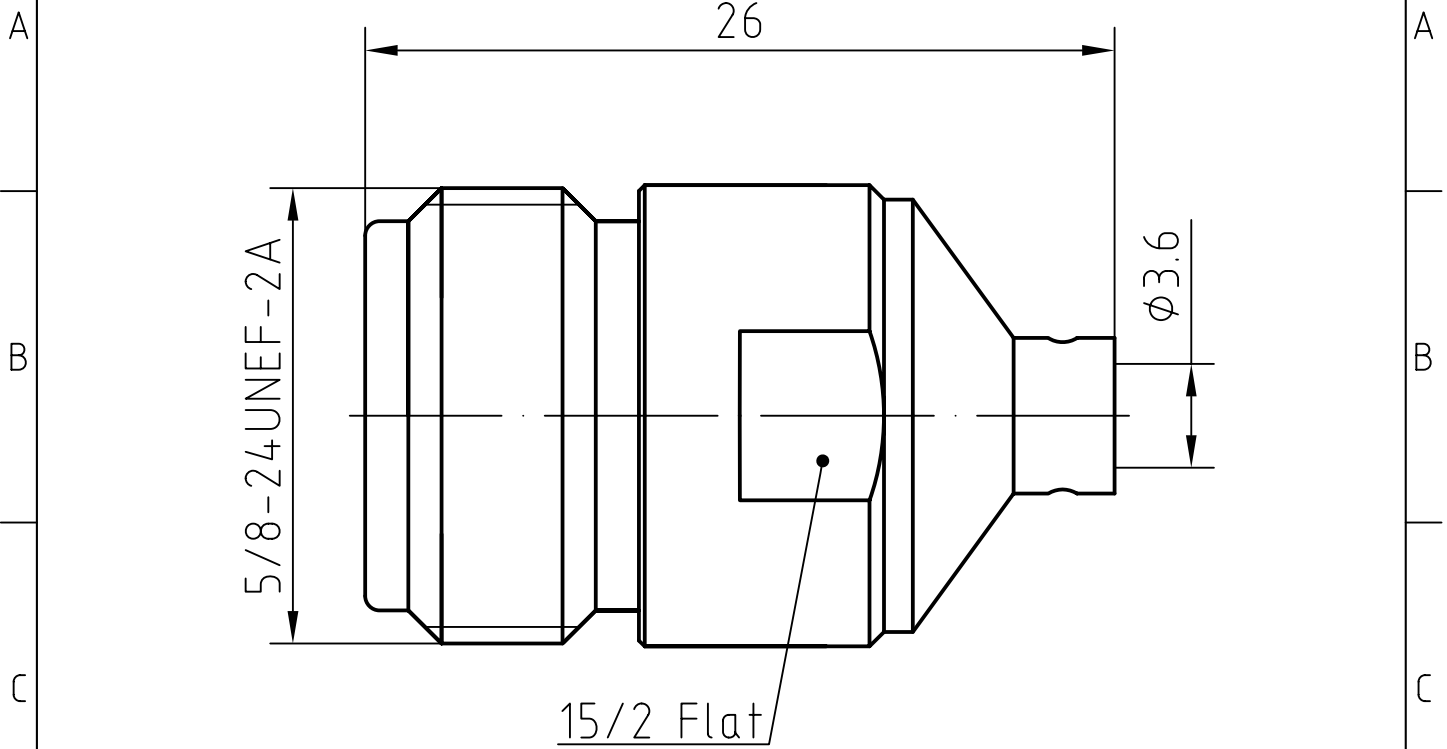
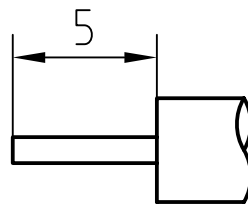


DRAWING



CABLE(UT141,RG402)



4	1	Center contact	Phosphor bronze/Gold plated	Gold 0.5um over 7um Nickel
3	1	Insulator	PTFE	
2	1	Soldering body	Brass/SUCOplated	CuSnZu 7um over Copper 2um
1	1	Body	Brass/Nickel plated	Nickel 7um over Copper 2um
Itemref	Quantity	Title/Name, designation, material, dimension etc		Article No./Reference

Designed by Mingang Han	Checked by Jinlong GU	Approved by - date Hongyu Du	File name N-KB3	Date 06.06.16	Scale 3 : 1
----------------------------	--------------------------	---------------------------------	--------------------	------------------	----------------

Amitron Electronics, Ltd.

N-KB3

<http://www.amel.ru>

Edition 1.0	Sheet 1/1
----------------	--------------

# CHARACTERISTICS

DESCRIPTION: N Female connectoe for .141

## Electrical data:

Impedance:	50 ohm
Frequency range:	DC to 11 GHz
Return loss:	≥ 35 dB, DC to 2 GHz ≥ 28 dB, 2 to 5 GHz ≥ 22 dB, 5 to 11 GHz
Insertion loss:	≤ 0.05X $\sqrt{f}$ [GHz] dB
Insulation resistance:	≥ 5000MΩ
Test voltage:	2500 V rms
Working voltage:	1400 V rms
Contact resistance:	
1). Centre contact:	1.00 mΩ
2). Outer conductor:	0.25 mΩ
Power handling (at 20 ° C, sea level, VSWR 1.0)	1000 W @ 1 GHz 700 W @ 2 GHz

## Environmental data:

Temperature rating:	-65 ° C to 165 ° C
2002/95/EC (RoHS):	Compliant

## Mechanical data:

Mating cycles:	≥ 500
Coupling nut retention:	≥ 450 N
Coupling test torque:	≤ 1.7 Nm
Recommended torque:	0.7 Nm to 1.1 Nm

## Suitable cables:

.141/670-141/SM141

Amitron Electronics, Ltd.

<http://www.amel.ru>

e-mail: [mailbox@amel.ru](mailto:mailbox@amel.ru)