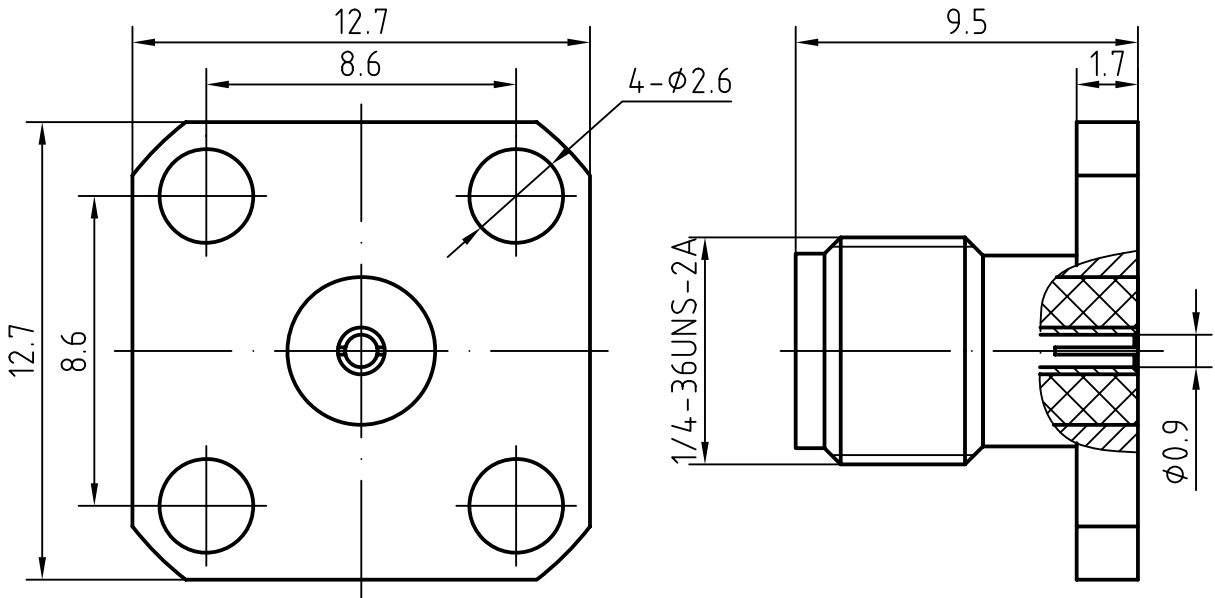


DRAWING



3	1	Body	Brass/Nickel plated	Nickel 7.0 over copper 2.0
2	1	Insulator	PTFE	
1	1	Center contact	Beryllium copper/Gold plated	Gold 1.27 over Nickel 2.0

Designed by Mingang Han	Checked by Jinlong Gu	Approved by - date Hongyu Du	File name SMA-KFD53N	Date 15.06.03	Scale 6 : 1
----------------------------	--------------------------	---------------------------------	-------------------------	------------------	----------------

Amitron Electronics, Ltd.	SMA-KFD95N			
	http://www.amel.ru		Edition 1.0	Sheet 1/1

CHARACTERISTICS

DESCRIPTION: SMA Type female FL accepts 0.9mm pin

Electrical data:

<i>Impedance:</i>	<i>50 ohm</i>
<i>Frequency range:</i>	<i>DC to 18 GHz</i>
<i>VSWR:</i>	$\leq 1.05 + 0.02 * f$
<i>Insertion loss:</i>	$\leq 0.03 \sqrt{f[\text{GHz}]} \text{ dB}$
<i>Insulation resistance:</i>	$\geq 5000 \text{ M}\Omega$
<i>Test voltage:</i>	<i>1000 V rms</i>
<i>Working voltage:</i>	<i>480 V rms</i>
<i>Contact resistance:</i>	
1). <i>Centre contact:</i>	<i>2.0 mΩ</i>
2). <i>Outer conductor:</i>	<i>2.0 mΩ</i>
<i>Power handling (at 20 ° C, sea level, VSWR 1.0):</i>	$\leq 200 \text{ W @ } 2 \text{ GHz}$
<i>RF-leakage:</i>	$\geq -(100 - f(\text{GHz})) \text{ dB}$

Environmental data:

<i>Temperature rating:</i>	<i>-65 ° C to +165 ° C</i>
<i>2002/95/EC (RoHS):</i>	<i>Compliant</i>

Mechanical data:

<i>Mating cycles:</i>	≥ 500
<i>Center contact captivation:</i>	$\geq 15 \text{ N(axial)}$
<i>Coupling test torque:</i>	$\leq 1.7 \text{ Nm}$
<i>Recommended torque:</i>	<i>0.46 Nm to 0.69 Nm</i>

Suitable cables:

N/A