

Coaxial Cable Connector: SSMB-K2.5DY

Description

SSMB Straight cable plug for Flexible cable

Interface standards

MIL-C-39012

Technical Data

Electrical Data

Impedance	50 Ω
Interface frequency max.	3 GHz
VSWR	$1.06+0.05 \times f(\text{GHz})$ max
Voltage rating	175 V(rms)
Test voltage	750 V(rms)
Contact resistance:	
Center conductor	$\leq 3\text{m } \Omega$
Out conductor	$\leq 2\text{m } \Omega$
Insulation resistance	$\geq 5000\text{M } \Omega$

Mechanical Data

Weight	3.5 g
Durability	500 Cycles

Environmental Data

Operating Temperature	-65 °C to 165 °C
-----------------------	------------------

Material Data

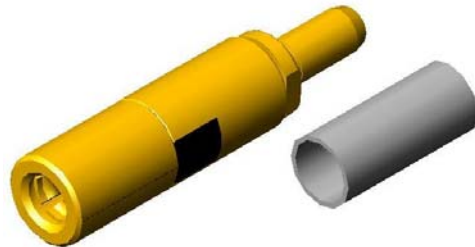
Piece Parts

Center contact	Beryllium copper
Outer contact	Beryllium copper
Body	Brass
Crimp ferrules	Copper alloy
Insulator	PTFE

Material

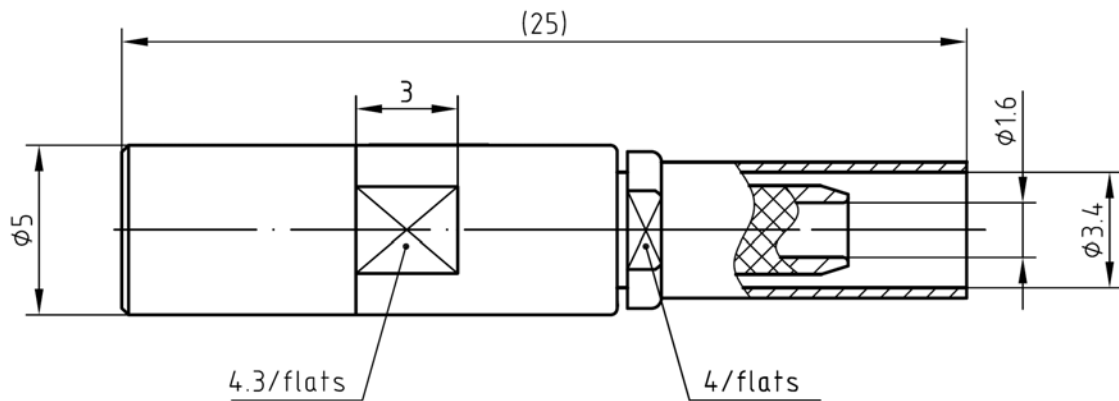
Surface Plating(μm)

Gold 0.5 over Nickel 2.0
Gold 0.5 over Nickel 2.0
Gold 0.2 over Nickel 2.0
Nickel 7.0 over copper 2.0



Coaxial Cable Connector: SSMB-K2.5DY

Outline drawing



Packaging

Standard

150/Box=15 Bag

Other

Contact us